



日揚國際事業股份有限公司  
JD Auspice Co., Ltd.

# JDA 防水箱

抗擠壓 / 絕緣 / 抗腐蝕

## IP67 Enclosure Catalogue

Compressive property, Insulation, Free from corrosion





# INDEX

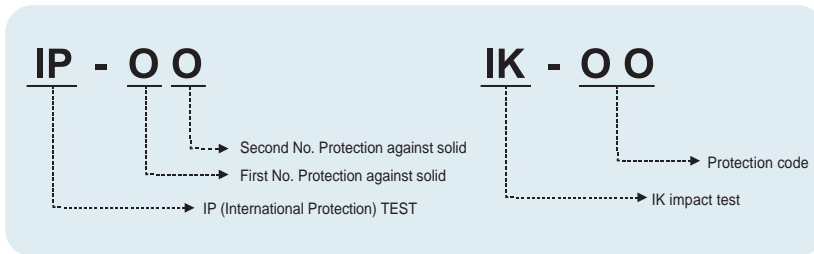



---

JDA box Ingress Protection Grade .....	03
JDA box Material .....	04
Characteristics of JDA box Plastic enclosure .....	05
How to choose JDA box's products .....	06-09
P Series .....	10-11
H Series - Medium and large size .....	12-13
H Series - Medium size .....	14-15
H Series - Small size .....	16-17
S Series - Medium size .....	18-19
S Series - Small size .....	20-21
M Series .....	22-23
Aluminium Die Casting Box .....	24
Dual door .....	25
All-in-one Dual door .....	26
Aluminium housing for inserting card .....	27
Cable Glands and Accessories .....	28-33

■ **JDA box Ingress Protection Grade**

Water, dust-proof grade IP66/67, Degree of strength IK07/08



**IEC**  
 (International Electrotechnical Commission)  
 defines protection structure of electric instruments or protection boxes as follows.

• JDA box has tested the enclosures according to IEC 529 or EN 60529 and EN 50298.

First Number	Protection against solid	Second Number	Protection against liquids	IK Code	Protection against mechanical impact
IP	TEST	IP	TEST	IP	TEST
0	No protection	0	No protection	0	No protection
1	Protected against solid objects up to 50mm, e.g. accidental touch by hands.	1	Protected against vertically falling drops of water e.g. condensation.	01 05	Impact= <1 joule
2	Protected against solid objects up to 12mm, e.g. fingers.	2	Protected against direct sprays of water up to 15° from the vertical	06	Impact= 1 joule
3	Protected against solid objects over 2.5mm (tools and wires).	3	Protected against direct sprays of water up to 60° from the vertical.	07	Impact= 2 joule
4	Protected against solid objects over 1 mm (tools, wires and small wire).	4	Protection against water sprays from all directions or limited ingress permitted.	08	Impact= 5 joule
5	Protected against dust limited ingress (no harmful deposit)	5	Protected against low pressure jets of water, from all directions or limited ingress.	09	Impact= 10 joule
6	Totally protected against dust	6	Protected against low pressure jets of water, e.g. for use on ship decks-limited ingress permitted	10	Impact= 20 joule
		7	Protected against the effect of immersion between 15cm and 1mm		
		8	Protected against long periods of immersion under pressure.		



■ Features of plastic material of JDA box

1. It has few decolorization and discoloration even used for a long time at outside owing to addition of Ultraviolet Stabilizer.
2. It protects electric/electronic instruments by using the material with addition of static electricity protecting material.
3. It is easy to make without breakage in hole and press process and it is very strong against outside impact as it is made of high impact resistant material.
4. We can supply optimized products which will be made of ordered material you request considering purpose and area used besides standard specification.

■ Combustion retardant property of JDA box plastic material

ABS (Grey color) : 94-HB(Standard) or 94-V-O (Options applied for terminal block)  
 ABS (Garish Blue color) : 94-5VB or 94-V-O  
 PC/ABS: 94-5VA  
 PC (Transparent) : 94-HB(Standard) or 94-V-O (Options applied for terminal block)  
 PC (Grey) : 94-V-O

■ Materials of JDA plastic products

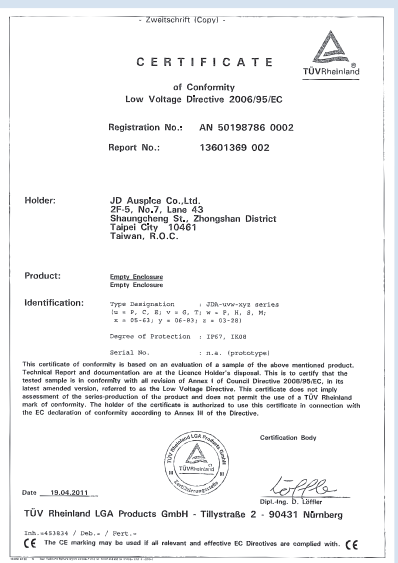
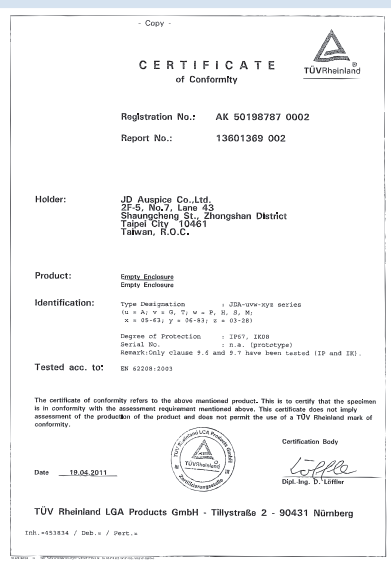
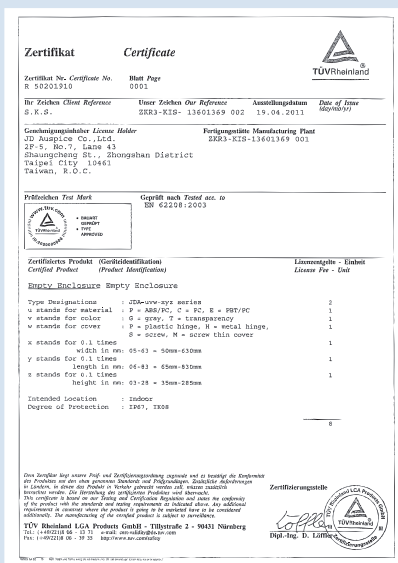
ABS :Acrylonitrile Butadiene Styrene  
 PC/ABS :Polycarbonate+ Acrylonitrile Butadiens Styrene  
 PC (Transparent) : Polycarbonate  
 PC (Grey) : Polycarbonate or Polycarbonate+ Glass Fiber  
 PBT/PC: Polybutylene Terephthalate + Polycarbonate

■ Plastic materials by model

JDA-AGP, AGH, AGS, AGM: Cover(ABS), Base(ABS)  
 JDA-PGP, PGH, PGS, PGM: Cover(PC/ABS), Base(PC/ABS)  
 JDA-CGP, CGH, CGS, CGM: Cover(PC), Base(PC)

JOA-ATP, ATH, ATS, ATM: Cover(PC), Base(ABS)  
 JDA-PTP, PTH, PTS, PTM: Cover(PC), Base(PC/ABS)  
 JDA-CTP, CTH, CTS, CTM: Cover(PC), Base(PC)

Certification



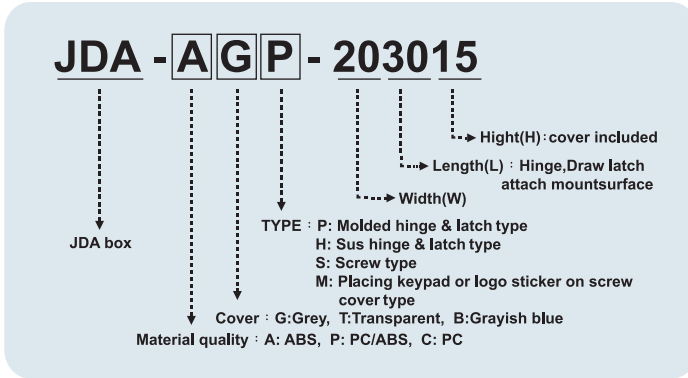


■ Characteristics of JDA box plastic enclosure

<p><b>P series-draw latch,integrated hinge</b></p> <p>It is very strong,easy to remove cover and convenient to make hole or print as main parts of draw latch are made of stainless steel and hinge is made of plastic in integrated type.</p>		<p><b>Bracket attachment pret</b></p> <p>If helps to fix the box tightly as brass insert is inserted in injection molding</p>	
<p><b>P series-roof function</b></p> <p>It is protruded at base. It protects penetration of water at ordinary times and penetration of dust when opening/closing the cover.</p>		<p><b>SUS bracket</b></p> <p>You can use this bracket to fix the box at the wall</p>	
<p><b>H series-SUS Latch</b></p> <p>It prevents loosening by vibration etc. It has double lock system</p>		<p><b>Back panel connecting part</b></p> <p>Inner panel equipped with heavy parts can be fixed tightly as brass insert is inserted in injection molding</p>	
<p><b>H series-SUS Hinge</b></p> <p>To ensure durability sus hinge has various application to each size of enclosure</p>		<p><b>Plastic Back Panel</b></p> <p>It is easy to make hole and it has excellent insulation properly. It is made to be strong with ABS material.</p>	
<p><b>H series-Rubber washer</b></p> <p>It is used for water proofing or dust proofing in installation of hinge,draw latch or other parts.</p>		<p><b>Key ring</b></p> <p>It can hang a lock on enclosure.</p>	
<p><b>S series-Cover bolf connecting part</b></p> <p>It is strong as screw thread was made in injection molding.</p>		<p><b>Lock</b></p> <p>Embedded lock</p>	
<p><b>S series-Slide marking</b></p> <p>It was made to make hold only with small drill in installation of hinge or draw latch.</p>		<p><b>Plastic lock</b></p> <p>Water proof lock</p>	
<p><b>S series-General marking</b></p> <p>It has excellent airtightness due to accurate puncture on marking part in installation of hinge or draw latch</p>		<p><b>P series-draw latch lock</b></p> <p>It is intergrated with draw and key lock for P type</p>	
<p><b>M series-Screw type</b></p> <p>It is designed to have lower surface of the cover considering attachment of mambrace keyboard.</p>		<p><b>Gasket</b></p> <p>It has excellent water and dust proofing performance as it injects gasket solution with super precise CNC robot machine</p>	



How to choose JDA box's products



P Series	
MODEL	Width×Length×Heihht
JDA-□□P-354512	350×450×120
JDA-□□P-354516	350×450×160
JDA-□□P-354520	350×450×200
JDA-□□P-405016	400×500×160
JDA-□□P-405020	400×500×200
JDA-□□P-406018	400×600×180
JDA-□□P-406023	400×600×230
JDA-□□P-506018	530×630×185
JDA-□□P-506025	530×630×255
JDA-□□P-507018	530×730×185
JDA-□□P-507025	530×730×255
JDA-□□P-608018	630×830×185
JDA-□□P-608028	630×830×285



P Series	
MODEL	Width×Length×Heihht
JDA-□□P-091207	90×120× 70
JDA-□□P-091208	90×120× 85
JDA-□□P-101507	100×150× 70
JDA-□□P-101508	100×150× 85
JDA-□□P-112107	110×210× 75
JDA-□□P-112110	110×210×100
JDA-□□P-112607	110×260× 75
JDA-□□P-112610	110×260×100
JDA-□□P-131508	135×155× 85
JDA-□□P-131808	135×185× 85
JDA-□□P-131810	135×185×100
JDA-□□P-151509	150×150× 90
JDA-□□P-151512	150×150×120
JDA-□□P-162110	160×210×100
JDA-□□P-162113	160×210×130
JDA-□□P-162610	160×260×100
JDA-□□P-162613	160×260×130
JDA-□□P-172211	170×220×110
JDA-□□P-172711	170×270×110
JDA-□□P-192810	190×280×100
JDA-□□P-192814	190×280×140
JDA-□□P-203013	200×300×130
JDA-□□P-203015	200×300×150
JDA-□□P-203018	200×300×180
JDA-□□P-212110	210×210×100
JDA-□□P-212113	210×210×130
JDA-□□P-253515	250×350×150
JDA-□□P-253518	250×350×180
JDA-□□P-282813	280×280×130
JDA-□□P-283813	280×380×130
JDA-□□P-303015	300×300×150
JDA-□□P-303018	300×300×180
JDA-□□P-304012	300×400×120
JDA-□□P-304015	300×400×150
JDA-□□P-304018	300×400×180
JDA-□□P-353515	350×350×150
JDA-□□P-353518	350×350×180

H Series - Medium and large size	
MODEL	Width×Length×Heihht
JDA-□□H-222712	225×275×120
JDA-□□H-272212	275×225×120
JDA-□□H-203015	200×300×150
JDA-□□H-302015	300×200×150
JDA-□□H-203018	200×300×180
JDA-□□H-302018	300×200×180
JDA-□□H-253515	250×350×150
JDA-□□H-352515	350×250×150
JDA-□□H-304015	300×400×150
JDA-□□H-403015	400×300×150
JDA-□□H-304018	300×400×180
JDA-□□H-403018	400×300×180
JDA-□□H-354516	350×450×160
JDA-□□H-453516	450×350×160
JDA-□□H-354520	350×450×200
JDA-□□H-453520	450×350×200
JDA-□□H-405020	400×500×200
JDA-□□H-504020	500×400×200
JDA-□□H-406023	400×600×230
JDA-□□H-604023	600×400×230

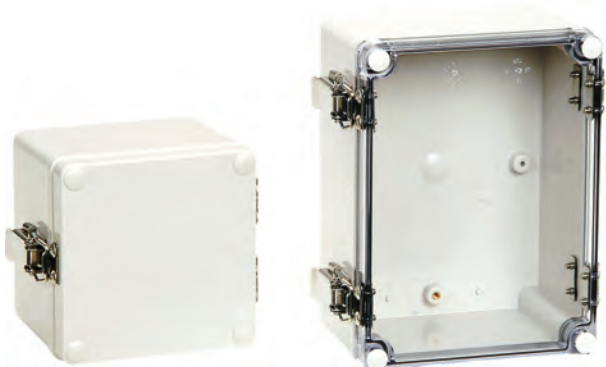


H Series - Medium size	
MODEL	Width×Length×Heihht
JDA-□□H-191913	190×190×130
JDA-□□H-192813	190×280×130



H Series - Medium size	
MODEL	Width×Length×Heihht
JDA-□□H-281913	280×190×130
JDA-□□H-192818	190×280×180
JDA-□□H-281918	280×190×180
JDA-□□H-193813	190×380×130
JDA-□□H-381913	380×190×130
JDA-□□H-193818	190×380×180
JDA-□□H-381918	380×190×180
JDA-□□H-282813	280×280×130
JDA-□□H-283413	280×340×130
JDA-□□H-342813	340×280×130
JDA-□□H-283813	280×380×130
JDA-□□H-382813	380×280×130
JDA-□□H-283818	280×380×180
JDA-□□H-382818	380×280×180
JDA-□□H-285613	280×560×130
JDA-□□H-562813	560×280×130
JDA-□□H-334318	330×430×180
JDA-□□H-433318	430×330×180
JDA-□□H-385618	380×560×180
JDA-□□H-563818	560×380×180

H Series - Small size	
MODEL	Width×Length×Heihht
JDA-□□H-151510	150×150×100
JDA-□□H-152007	150×200× 75
JDA-□□H-201507	200×150× 75
JDA-□□H-152010	150×200×100
JDA-□□H-201510	200×150×100
JDA-□□H-152013	150×200×130
JDA-□□H-201513	200×150×130
JDA-□□H-152016	150×200×160
JDA-□□H-201516	200×150×160
JDA-□□H-152510	150×250×100
JDA-□□H-251510	250×150×100
JDA-□□H-152513	150×250×130
JDA-□□H-251513	250×150×130
JDA-□□H-202010	200×200×100
JDA-□□H-202013	200×200×130
JDA-□□H-202016	200×200×160



S Series - Medium size	
MODEL	Width×Length×Heihht
JDA-□□S-191913	190×190×130
JDA-□□S-192813	190×280×130
JDA-□□S-192818	190×280×180
JDA-□□S-193813	190×380×130
JDA-□□S-193818	190×380×180
JDA-□□S-282813	280×280×130
JDA-□□S-283413	280×340×130
JDA-□□S-283813	280×380×130
JDA-□□S-283818	280×380×180
JDA-□□S-285613	280×560×130
JDA-□□S-334318	330×430×180
JDA-□□S-385618	380×560×180

H Series - Small size	
MODEL	Width×Length×Heihht
JDA-□□H-081107	80×110× 70
JDA-□□H-110807	110× 80× 70
JDA-□□H-081108	80×110× 85
JDA-□□H-110808	110× 80× 85
JDA-□□H-081307	80×130× 70
JDA-□□H-130807	130× 80× 70
JDA-□□H-081308	80×130× 85
JDA-□□H-130808	130× 80× 85
JDA-□□H-081807	80×180× 70
JDA-□□H-180807	180× 80× 70
JDA-□□H-081808	80×180× 85
JDA-□□H-180808	180× 80× 85
JDA-□□H-082507	80×250× 70
JDA-□□H-250807	250× 80× 70
JDA-□□H-082508	80×250× 85
JDA-□□H-250808	250× 80× 85
JDA-□□H-101007	100×100× 75
JDA-□□H-101010	100×100×100
JDA-□□H-121207	125×125× 75
JDA-□□H-121210	125×125×100
JDA-□□H-121707	125×175× 75
JDA-□□H-171207	175×125× 75
JDA-□□H-121710	125×175×100
JDA-□□H-171210	175×125×100
JDA-□□H-141709	140×170× 95
JDA-□□H-171409	170×140× 95
JDA-□□H-142309	140×230× 95
JDA-□□H-231409	230×140× 95
JDA-□□H-151507	150×150× 75



S Series - Small size	
MODEL	Width×Length×Heihht
JDA-□□S-050604	50× 65×45
JDA-□□S-050605	50× 65×55
JDA-□□S-060905	65× 95×55
JDA-□□S-071005	75×105×55



S Series - Small size

MODEL	Width×Length×Heihht
JDA-□□ S-080806	80× 80× 60
JDA-□□ S-081104	80×110× 45
JDA-□□ S-081107	80×110× 70
JDA-□□ S-081108	80×110× 85
JDA-□□ S-081307	80×130× 70
JDA-□□ S-081308	80×130× 85
JDA-□□ S-081605	80×160× 55
JDA-□□ S-081608	80×160× 85
JDA-□□ S-081807	80×180× 70
JDA-□□ S-081808	80×180× 85
JDA-□□ S-082507	80×250× 70
JDA-□□ S-082508	80×250× 85
JDA-□□ S-101007	100×100× 75
JDA-□□ S-101010	100×100×100
JDA-□□ S-101807	100×185× 70
JDA-□□ S-102007	100×200× 70
JDA-□□ S-102307	100×230× 70
JDA-□□ S-121207	125×125× 75
JDA-□□ S-121210	125×125×100
JDA-□□ S-121707	125×175× 75
JDA-□□ S-121710	125×175×100
JDA-□□ S-141709	140×170× 95
JDA-□□ S-142309	140×230× 95
JDA-□□ S-151507	150×150× 75
JDA-□□ S-151510	150×150×100
JDA-□□ S-152007	150×200× 75
JDA-□□ S-152010	150×200×100
JDA-□□ S-152013	150×200×130
JDA-□□ S-152016	150×200×160
JDA-□□ S-152510	150×250×100
JDA-□□ S-152513	150×250×130
JDA-□□ S-161607	160×160× 70
JDA-□□ S-202010	200×200×100
JDA-□□ S-202013	200×200×130
JDA-□□ S-202016	200×200×160



M Series

MODEL	Width×Length×Heihht
JDA-□□ M-081303	80×130× 35
JDA-□□ M-081306	80×130× 60
JDA-□□ M-081307	80×130× 75
JDA-□□ M-081308	80×130× 85
JDA-□□ M-081310	80×130×100
JDA-□□ M-081312	80×130×125
JDA-□□ M-131303	130×130× 35
JDA-□□ M-131306	130×130× 60
JDA-□□ M-131803	130×180× 35
JDA-□□ M-131806	130×180× 60
JDA-□□ M-151806	150×180× 60
JDA-□□ M-181806	180×180× 60
JDA-□□ M-181807	180×180× 75
JDA-□□ M-181810	180×180×100
JDA-□□ M-181812	180×180×125
JDA-□□ M-182507	160×255× 75
JDA-□□ M-182510	180×255×100
JDA-□□ M-182512	180×255×125

■ JDA Aluminium Die Casting box



Aluminium Box

MODEL	Width×Length×Heihht
JDA-AL-061003	64× 98× 34
JDA-AL-080806	80× 75× 57
JDA-AL-081306	80×125× 57
JDA-AL-081806	80×175× 57
JDA-AL-082506	80×250× 57
JDA-AL-101008	100×100× 80
JDA-AL-101608	100×160× 80
JDA-AL-121208	120×122× 80
JDA-AL-122208	120×220× 80
JDA-AL-122209	120×220× 90
JDA-AL-151309	150×132× 90
JDA-AL-161609	160×160× 90
JDA-AL-162609	160×260× 90
JDA-AL-181810	180×180×100
JDA-AL-232011	230×200×100



Dual door

MODEL	Width×Length×Heihht
JDA-□□ P-203013	200×300×130
JDA-□□ P-203015	200×300×150
JDA-□□ P-203018	200×300×180
JDA-□□ P-253515	250×350×150
JDA-□□ P-253518	250×350×180
JDA-□□ P-282813	280×280×130
JDA-□□ P-283813	280×380×130
JDA-□□ P-303015	300×300×150
JDA-□□ P-303018	300×300×180
JDA-□□ P-304015	300×400×150
JDA-□□ P-304018	300×400×180
JDA-□□ P-354516	350×450×160
JDA-□□ P-354520	350×450×200
JDA-□□ P-405016	400×500×160
JDA-□□ P-405020	400×500×200
JDA-□□ P-405020	400×500×200
JDA-□□ P-406018	400×600×180
JDA-□□ P-406018	400×600×180
JDA-□□ P-406023	400×600×230
JDA-□□ P-506018	530×630×185
JDA-□□ P-506025	530×630×255





■ All - In - One - Dual door



MODEL	Width×Lebgtg×Height
□GD-253516	250x350x160
□GD-253519	250x350x190
□GD-354513	350x450x130
□GD-354517	350x450x170
□GD-354221	350x450x210

■ JDA box aluminium housing for inserting card



JDA aluminium housing for inserting Card	
MODEL	Width×Lebgtg×Height
JDA-ALC-111609	111.5x166x91.5
JDA-ALC-172011	173x206x113



JDA-PG			
MODEL	(Φmm)	MODEL	(Φmm)
JDA-PG-7-G	3-6	JDA-PG-25-G	15-19
JDA-PG-9-G	4-8	JDA-PG-29-G	18-25
JDA-PG-11-G	5-10	JDA-PG-36-G	22-32
JDA-PG-13.5-G	6-12	JDA-PG-42-G	30-38
JDA-PG-16-G	10-14	JDA-PG-48-G	34-44
JDA-PG-19-G	12-15	JDA-PG-63-G	42-50
JDA-PG-21-G	13-18		

JDA-PG-L			
MODEL	(Φmm)	MODEL	(Φmm)
JDA-PG-7L-G	3.5-6	JDA-PG-13.5L-G	6-12
JDA-PG-9L-G	4-8	JDA-PG-16L-G	10-14
JDA-PG-11L-G	5-10		

JDA-BP-PG			
MODEL	(Φmm)	MODEL	(Φmm)
JDA-BP-PG7	3-5.5	JDA-BP-PG13.5	7-12.5
JDA-BP-PG9	4-8.5	JDA-BP-PG16	8.5-14
JDA-BP-PG11	6-10	JDA-BP-PG21	12.5-18

JDA-MPG			
MODEL	(Φmm)	MODEL	(Φmm)
JDA-MPG-7	3-6.5	JDA-MPG-21	13-18
JDA-MPG-9	4-8	JDA-MPG-29	18-25
JDA-MPG-11	5-10	JDA-MPG-36	22-32
JDA-MPG-13	6-12	JDA-MPG-42	22-38
JDA-MPG-16	8-14	JDA-MPG-48	37-44

JDA-PKM-P			
MODEL	(Φmm)	MODEL	(Φmm)
JDA-PKM-P7	6-8	JDA-PKM-P11	10-12
JDA-PKM-P9	8-10	JDA-PKM-P13	12-14

JDA-HSK-EX-P			
MODEL	(Φmm)	MODEL	(Φmm)
JDA-HSK-EX-P7	3-6.5	JDA-HSK-EX-P21	13-18
JDA-HSK-EX-P9	4-8	JDA-HSK-EX-P29	18-25
JDA-HSK-EX-P11	5-10	JDA-HSK-EX-P36	22-32
JDA-HSK-EX-P13	6-12	JDA-HSK-EX-P42	30-38
JDA-HSK-EX-P16	8-14	JDA-HSK-EX-P48	37-44

JDA-HSM-EX-P			
MODEL	(Φmm)	MODEL	(Φmm)
JDA-HSM-EX-P7	3-6.5	JDA-HSM-EX-P21	13-18
JDA-HSM-EX-P9	4-8	JDA-HSM-EX-P29	18-25
JDA-HSM-EX-P11	5-10	JDA-HSM-EX-P36	22-32
JDA-HSM-EX-P13	6-12	JDA-HSM-EX-P42	30-38
JDA-HSM-EX-P16	8-14	JDA-HSM-EX-P48	37-44

JDA-RG-PG			
MODEL	(Φmm)	MODEL	(Φmm)
JDA-RG-PG7	3-5	JDA-RG-PG21	14-20
JDA-RG-PG9	5-7	JDA-RG-PG29	20-26
JDA-RG-PG11	7-10	JDA-RG-PG36	26-35
JDA-RG-PG16	10-14		

JDA-M			
MODEL	(Φmm)	MODEL	(Φmm)
JDA-M-12	3-6.5	JDA-M-32	15-25
JDA-M-16	4-8	JDA-M-40	22-32
JDA-M-20	6-12	JDA-M-50	32-38
JDA-M-25	13-18	JDA-M-63	37-44

JDA-BP-M			
MODEL	(Φmm)	MODEL	(Φmm)
JDA-BP-M-12	3-6.5	JDA-BP-M-20	6-12
JDA-BP-M-16	4-8	JDA-BP-M-25	13-18

JDA-MM			
MODEL	(Φmm)	MODEL	(Φmm)
JDA-MM-12	3-6.5	JDA-MM-32	15-25
JDA-MM-16	4-8	JDA-MM-40	18-25
JDA-MM-20	6-12	JDA-MM-50	32-38
JDA-MM-25	13-18	JDA-MM-63	37-44

JDA-SP-PG	JDA-MSP-PG	JDA-HP-PG	JDA-DPM-P
Article no	Article no	Article no	Article no
JDA-SP-PG-7	JDA-MSP-PG-7	JDA-HP-PG8	JDA-DPM-P7
JDA-SP-PG-9	JDA-MSP-PG-9	JDA-HP-PG10	JDA-DPM-P9
JDA-SP-PG-11	JDA-MSP-PG-11	JDA-HP-PG13	JDA-DPM-P11
JDA-SP-PG-13.5	JDA-MSP-PG-13.5	JDA-HP-PG16	JDA-DPM-P13
JDA-SP-PG-16	JDA-MSP-PG-16	JDA-HP-PG19	JDA-DPM-P16
JDA-SP-PG-21	JDA-MSP-PG-21	JDA-HP-PG22	JDA-DPM-P21
JDA-SP-PG-29	JDA-MSP-PG-29	JDA-HP-PG26	JDA-DPM-P29
JDA-SP-PG-36	JDA-MSP-PG-36	JDA-HP-PG30	JDA-DPM-P36
JDA-SP-PG-42	JDA-MSP-PG-42		JDA-DPM-P42
JDA-SP-PG-48	JDA-MSP-PG-48		JDA-DPM-P48

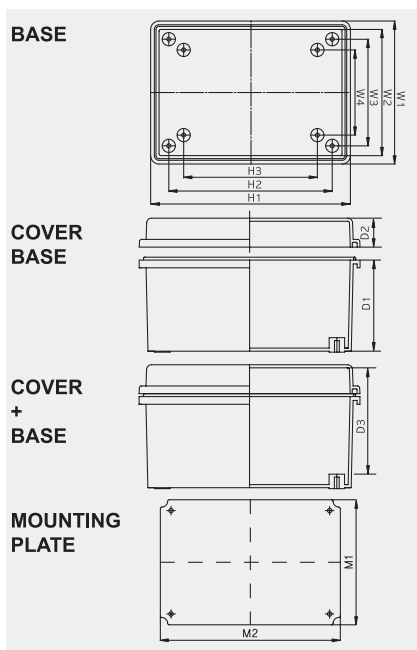
JDA-SP-M		JDA-MSP-PG	
Article no	Article no	Article no	Article no
JDA-SP-M-12	JDA-SP-M-27	JDA-MSP-M7	JDA-MSP-M29
JDA-SP-M-16	JDA-SP-M-32	JDA-MSP-M9	JDA-MSP-M36
JDA-SP-M-18	JDA-SP-M-40	JDA-MSP-M11	JDA-MSP-M42
JDA-SP-M-20	JDA-SP-M-50	JDA-MSP-M13.5	JDA-MSP-M48
JDA-SP-M-22	JDA-SP-M-63	JDA-MSP-M16	
JDA-SP-M-25		JDA-MSP-M21	

▪ P Series



**Dimension** ( allowable error  $\pm 1\text{mm}$  )

The dimension of mounting plate is based on the plastic mounting plate and the dimension of around bracket is steel's mounting plate.



Division SIZE	W1	W2	W3	W4	H1	H2	H3	D1	D2	D3
90x120x 85	90	77.5	50	0	128.4	80	69	65	20	66.5
100x150x 70	100	87.5	60	0	158.4	110	99	50	20	51.5
100x110x 85	100	87.5	60	0	158.4	110	99	65	20	66.5
110x210x 75	110	87.7	70	0	218.4	170	158	55	20	56.5
110x210x100	110	87.7	70	0	218.4	170	158	80	20	81.5
100x260x 75	110	87.7	70	0	268.4	220	208	55	20	56.5
110x260x100	110	87.7	70	0	268.4	220	208	80	20	81.5
135x155x 85	135	115	105	0	150	119.3	110	65	20	67.5
135x185x 85	135	108	95	0	193.4	145	140	65	20	67.5
135x185x100	135	108	95	0	193.4	145	140	80	20	82.5
150x150x 90	150	130	120	0	150	120	110	70	20	71.5
150x150x120	150	130	120	0	150	120	110	100	20	101.5
160x210x100	160	137	120	0	218.4	170	160	75	25	81.5
160x210x130	160	137	120	0	218.4	170	160	105	25	111.5
160x260x100	160	144.6	120	0	268.4	220	210	75	25	85.5
160x260x130	160	144.6	120	0	268.4	220	210	105	25	111.5
170x220x110	170	149.6	132	0	228.4	182	160	80	30	93
170x270x110	170	149.6	132	0	278.4	232	210	80	30	93
190x280x100	190	173.5	148	120	288.4	238	210	70	30	108.5
190x280x140	190	173.5	148	120	288.4	238	210	110	30	128.5
200x300x130	200	181.8	152	129	308.4	252	226	100	30	108
200x300x150	200	181.8	152	129	308.4	252	226	120	30	128.5
200x300x180	200	181.8	152	129	308.4	252	226	150	30	158.5
210x210x100	210	192.3	170	120	218.4	170	150	75	25	81.5
210x210x130	210	192.3	170	120	218.4	170	150	105	25	111.5
250x350x150	250	231.8	202	180	358.4	302	271	120	30	130
250x350x180	250	231.8	202	180	358.4	302	271	150	30	160
280x280x130	280	264.1	238	210	288.4	238	210	100	30	108
280x380x130	280	264.1	238	210	388.4	338	310	100	30	108
300x300x150	300	283.3	252	230	305.4	252	219	120	30	131.5
300x300x180	300	283.3	252	230	308.4	252	219	150	30	161.5
300x400x120	300	275.5	252	228	408.4	352	325	90	30	98.5
300x400x150	300	275.5	252	228	408.4	352	325	120	30	128.5
300x400x180	300	275.5	252	228	408.4	352	325	150	30	158.5
350x350x150	350	333.8	302	270	358.4	302	270	120	30	132
350x350x180	350	333.8	302	270	358.4	302	270	150	30	162
350x450x120	350	325.4	300	274	457.4	400	365	90	30	98
350x450x160	350	325.4	300	274	457.4	400	365	130	30	138
350x450x200	350	325.4	300	274	457.4	400	365	170	30	178
400x500x160	400	370.5	352	328	511.4	452	428	130	30	137
400x500x200	400	370.5	352	328	511.4	452	428	170	30	178
400x600x180	401	370.5	352	328	611.4	552	525	150	30	158
400x600x230	401	370.5	352	328	611.4	552	525	200	30	208
530x630x185	530	487.4	462	426	641.4	562	526	150	35	163
530x630x255	530	487.4	462	426	641.4	562	526	220	35	233
530x730x185	530	487.4	462	426	741.4	662	626	150	35	163
530x730x255	530	487.4	462	426	741.4	662	626	220	35	233
630x830x185	630	581.9	562	526	841.4	762	726	150	35	163
630x830x285	630	581.9	562	526	841.4	762	726	250	35	253

<b>Level of dustproof and waterproof</b>	IP 66/67
<b>Impact test</b>	IK 07/08
<b>Critical temperature</b>	ABS : -40~85 PC : -40~+120
<b>Burn poorly</b>	ABS:94-HB PC/ABS:94-V-0~5VA PC:94-HB,94-V-0~5VA

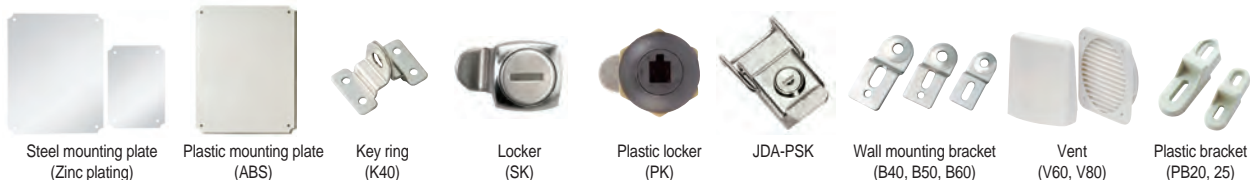


### Product Characteristics

1. It is designed to prevent the penetration of rain or dust perfectly double as roof is protruded from top and bottom of the base.
2. It is easy to separate cover and base so that user can attach or detach them for processing and printing.
3. Insert hinge into the product and hinge connecting pin and important parts of draw latch are made of stainless steel so that it is very strong and corrosion resistant.

Model and size		Product model			Plate Model		Plate Size	
Model and size(cover included)		ABS	PC/ABS	PC	Steel mounting plate 1.6mm	Plastic mounting plate 3-4.5mm	M1	M2
WidthxLength xHeight (mm)	WidthxLength xHeight (inch)	☐-Grey Cover ☐-Transparent Cover	☐-Grey Cover ☐-Transparent Cover	☐-Grey Cover ☐-Transparent Cover				
		90x120x 70	3.54x 4.72x 2.76	JDA-A ☐ P-091207				
90x120x 85	3.54x 4.72x 3.35	JDA-A ☐ P-091208	JDA-P ☐ P-091208	JDA-C ☐ P-091208	0912S	0912P	65	95
100x150x 70	3.94x 5.91x 2.76	JDA-A ☐ P-101507	JDA-P ☐ P-101507	JDA-C ☐ P-101507	1015S	1015P	65	115
100x150x 85	3.94x 5.91x 3.35	JDA-A ☐ P-101508	JDA-P ☐ P-101508	JDA-C ☐ P-101508	1015S	1015P	65	115
110x210x 75	4.33x 8.27x 2.95	JDA-A ☐ P-112107	JDA-P ☐ P-112107	JDA-C ☐ P-112107	1121S	1121P	88	189
110x210x100	4.33x 8.27x 3.94	JDA-A ☐ P-112110	JDA-P ☐ P-112110	JDA-C ☐ P-112110	1121S	1121P	88	189
110x260x 75	4.33x10.24x 2.95	JDA-A ☐ P-112607	JDA-P ☐ P-112607	JDA-C ☐ P-112607	1126S	1126P	85	232
110x260x100	4.33x10.24x 3.94	JDA-A ☐ P-112610	JDA-P ☐ P-112610	JDA-C ☐ P-112610	1126S	1126P	85	232
135x155x 85	5.12x 5.91x 3.35	JDA-A ☐ P-131508	JDA-P ☐ P-131508	JDA-C ☐ P-131508	1315S	1315P	101	126
135x185x 85	5.12x 7.09x 3.35	JDA-A ☐ P-131808	JDA-P ☐ P-131808	JDA-C ☐ P-131808	1318S	1318P	113	161
135x185x100	5.12x 7.09x 3.94	JDA-A ☐ P-131810	JDA-P ☐ P-131810	JDA-C ☐ P-131810	1318S	1318P	113	161
150x150x 90	5.91x 5.91x 3.54	JDA-A ☐ P-151509	JDA-P ☐ P-151509	JDA-C ☐ P-151509	1515S	1515P	123	123
150x150x120	5.91x 5.91x 4.72	JDA-A ☐ P-151512	JDA-P ☐ P-151512	JDA-C ☐ P-151512	1515S	1515P	123	123
160x210x100	6.3 x 8.27x 3.94	JDA-A ☐ P-162110	JDA-P ☐ P-162110	JDA-C ☐ P-162110	1621S	1621P	129	179
160x210x130	6.3 x 8.27x 5.12	JDA-A ☐ P-162113	JDA-P ☐ P-162113	JDA-C ☐ P-162113	1621S	1621P	129	179
160x260x100	6.3 x10.24x 3.94	JDA-A ☐ P-162610	JDA-P ☐ P-162610	JDA-C ☐ P-162610	1626S	1626P	129	224
160x260x130	6.3 x10.24x 5.12	JDA-A ☐ P-162613	JDA-P ☐ P-162613	JDA-C ☐ P-162613	1626S	1626P	129	224
170x220x110	6.69x 8.66x 4.33	JDA-A ☐ P-172211	JDA-P ☐ P-172211	JDA-C ☐ P-172211	1722S	1722P	129	179
170x270x110	6.69x10.63x 4.33	JDA-A ☐ P-172711	JDA-P ☐ P-172711	JDA-C ☐ P-172711	1727S	1727P	129	224
190x280x100	7.48x11.02x 3.94	JDA-A ☐ P-192810	JDA-P ☐ P-192810	JDA-C ☐ P-192810	1928S	1928P	159	248
190x280x140	7.48x11.02x 5.51	JDA-A ☐ P-192814	JDA-P ☐ P-192814	JDA-C ☐ P-192814	1928S	1928P	159	248
200x300x130	7.87x11.81x 5.12	JDA-A ☐ P-203013	JDA-P ☐ P-203013	JDA-C ☐ P-203013	2030S	2030P	166	266
200x300x150	7.87x11.81x 5.91	JDA-A ☐ P-203015	JDA-P ☐ P-203015	JDA-C ☐ P-203015	2030S	2030P	166	266
200x300x180	8.27x 8.27x 3.94	JDA-A ☐ P-203018	JDA-P ☐ P-203018	JDA-C ☐ P-203018	2030S	2030P	166	266
210x210x100	8.27x 8.27x 5.12	JDA-A ☐ P-212110	JDA-P ☐ P-212110	JDA-C ☐ P-212110	2121S	2121P	179	179
210x210x130	8.27x11.81x 7.09	JDA-A ☐ P-212113	JDA-P ☐ P-212113	JDA-C ☐ P-212113	2121S	2121P	179	179
250x350x150	9.84x13.78x 5.91	JDA-A ☐ P-253515	JDA-P ☐ P-253515	JDA-C ☐ P-253515	2535S	2535P	216	316
250x350x180	9.84x13.78x 7.09	JDA-A ☐ P-253518	JDA-P ☐ P-253518	JDA-C ☐ P-253518	2535S	2535P	216	316
280x280x130	11.02x11.02x 5.12	JDA-A ☐ P-282813	JDA-P ☐ P-282813	JDA-C ☐ P-282813	2828S	2828P	248	248
280x380x130	11.02x14.96x 5.12	JDA-A ☐ P-283813	JDA-P ☐ P-283813	JDA-C ☐ P-283813	2838S	2838P	248	348
300x300x150	11.81x11.81x 5.91	JDA-A ☐ P-303015	JDA-P ☐ P-303015	JDA-C ☐ P-303015	3030S	3030P	262	262
300x300x180	11.81x11.81x 7.09	JDA-A ☐ P-303018	JDA-P ☐ P-303018	JDA-C ☐ P-303018	3030S	3030P	262	262
300x400x120	11.81x15.75x 4.72	JDA-A ☐ P-304012	JDA-P ☐ P-304012	JDA-C ☐ P-304012	3040S	3040P	265	365
300x400x150	11.81x15.75x 5.91	JDA-A ☐ P-304015	JDA-P ☐ P-304015	JDA-C ☐ P-304015	3040S	3040P	265	365
300x400x180	11.81x15.75x 7.09	JDA-A ☐ P-304018	JDA-P ☐ P-304018	JDA-C ☐ P-304018	3040S	3040P	265	365
350x350x150	13.78x13.78x 5.91	JDA-A ☐ P-353515	JDA-P ☐ P-353515	JDA-C ☐ P-353515	3535S	3535P	320	320
350x350x180	13.78x13.78x 7.09	JDA-A ☐ P-353518	JDA-P ☐ P-353518	JDA-C ☐ P-353518	3535S	3535P	320	320
350x450x120	13.78x17.72x 4.72	JDA-A ☐ P-354512	JDA-P ☐ P-354512	JDA-C ☐ P-354512	3545S	3545P	306	407
350x450x160	13.78x17.72x 6.30	JDA-A ☐ P-354516	JDA-P ☐ P-354516	JDA-C ☐ P-354516	3545S	3545P	306	407
350x450x200	13.78x17.72x 7.87	JDA-A ☐ P-354520	JDA-P ☐ P-354520	JDA-C ☐ P-354520	3545S	3545P	306	407
400x500x160	15.75x19.69x 6.30	JDA-A ☐ P-405016	JDA-P ☐ P-405016	JDA-C ☐ P-405016	4050S	4050P	358	458
400x500x200	15.75x19.69x 7.87	JDA-A ☐ P-405020	JDA-P ☐ P-405020	JDA-C ☐ P-405020	4050S	4050P	358	458
400x600x180	15.75x23.62x 7.09	JDA-A ☐ P-406018	JDA-P ☐ P-406018	JDA-C ☐ P-406018	4060S	4060P	358	558
400x600x230	15.75x23.62x 9.06	JDA-A ☐ P-406023	JDA-P ☐ P-406023	JDA-C ☐ P-406023	4060S	4060P	358	558
530x630x185	20.87x24.80x 7.28	JDA-A ☐ P-506018	JDA-P ☐ P-506018	JDA-C ☐ P-506018	5060S	5060P	450	555
530x630x255	20.87x24.80x10.04	JDA-A ☐ P-506025	JDA-P ☐ P-506025	JDA-C ☐ P-506025	5060S	5060P	450	555
530x730x185	20.87x28.74x 7.28	JDA-A ☐ P-507018	JDA-P ☐ P-507018	JDA-C ☐ P-507018	5070S	5070P	450	655
530x730x255	20.87x28.74x10.04	JDA-A ☐ P-507025	JDA-P ☐ P-507025	JDA-C ☐ P-507025	5070S	5070P	450	655
630x830x185	24.80x32.68x 7.28	JDA-A ☐ P-608018	JDA-P ☐ P-608018	JDA-C ☐ P-608018	6080S	6080P	550	755
630x830x285	24.80x32.68x11.22	JDA-A ☐ P-608028	JDA-P ☐ P-608028	JDA-C ☐ P-608028	6080S	6080P	550	755

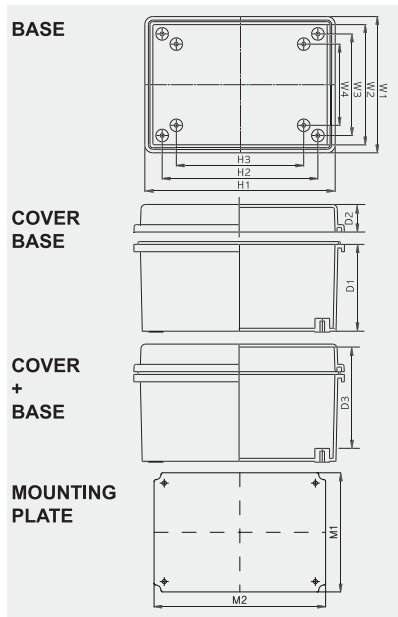
### Accessories



■ **H Series - Medium and large size**



**Dimension** (allowable error± 1mm)



The dimension of mounting plate is based on the plastic mounting plate and the dimension of around bracket is steel's mounting plate.

Division Size	W1	W2	W3	W4	H1	H2	H3	H4	D1	D2	D3
225x275x120	225	219	204.6	183	276	270	234	210	90	30	98
275x225x120	276	270	234	210	225	219	204	183	90	30	98
200x300x150	200	180	152	129	300	280	252	226	120	30	128.5
300x200x150	300	280	252	226	200	180	152	129	120	30	128.5
200x300x180	200	180	152	129	300	280	252	226	150	30	158.5
300x200x180	300	280	252	226	200	180	152	129	150	30	158.5
250x350x150	250	230	206	180	350	330	306	269	120	30	128.5
350x250x150	350	330	306	269	250	230	206	180	120	30	128.5
300x400x150	300	280	252	230	400	380	352	325	120	30	128
400x300x150	400	380	352	325	300	280	252	230	120	30	128
300x400x180	300	280	252	230	400	380	352	325	150	30	158
400x300x180	400	380	352	325	300	280	252	230	150	30	158
350x450x160	350	323	298	276	450	423	398	376	130	30	138
450x350x160	450	423	398	376	350	323	298	276	130	30	138
350x450x200	350	323	298	276	450	423	398	376	170	30	178
450x350x200	450	423	398	376	350	323	298	276	170	30	178
400x500x200	402	375	352	328	502	475	452	428	170	30	178
500x400x200	502	475	452	428	402	375	352	328	170	30	178
400x600x230	402	375	352	328	602	575	552	525	200	30	208
600x400x230	602	575	552	525	402	375	352	328	200	30	208

- Level of dustproof and waterproof**  
IP 66/67
- Impact test**  
IK 07/08
- Critical temperature**  
ABS : -40~85  
PC : -40~+120
- Burn poorly**  
ABS;94-HB  
PC/ABS;94-V-0~5VA  
PC;94-HB,94-V-0~5VA



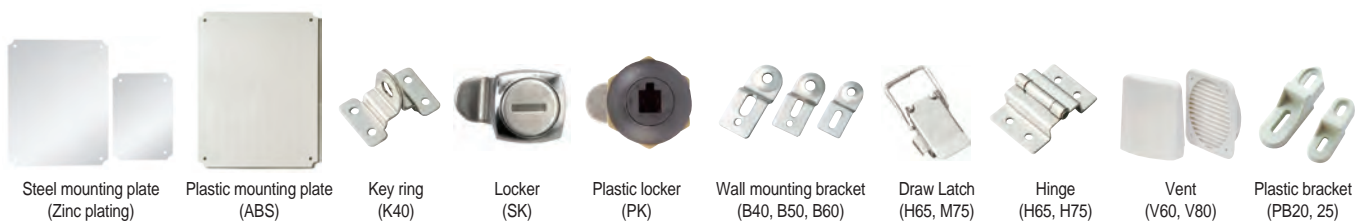
## Product Characteristics

1. It will not be damaged even using for a long time because stainless steel hinge and draw latch are equipped.
2. It secures perfect airtightness by preventing sink down when opening or closing by increasing the sizes of hinge and draw latch by size increasing of the products.
3. It can be used in inferior dangerous industrial field by using strong material and structure.

Model and size								
Model and size(cover included)		Product model			Plate Model		Plate Size	
WidthxLength xHeight (mm)	WidthxLength xHeight (inch)	ABS	PC/ABS	PC	Steel mounting plate 1.6mm	Plastic mounting plate 3- 4.5mm	M1	M2
		☐-Grey Cover ☐-Transparent Cover	☐-Grey Cover ☐-Transparent Cover	☐-Grey Cover ☐-Transparent Cover				
225x275x120	8.86x10.83x4.72	JDA-A☐H-222712	JDA-P☐H-222712	JDA-C☐H-222712	2227S	2227P	190	242
275x225x120	10.83x8.86x4.72	JDA-A☐H-272212	JDA-P☐H-272212	JDA-C☐H-272212	2227S	2227P	190	242
200x300x150	7.87x11.81x5.91	JDA-A☐H-203015	JDA-P☐H-203015	JDA-C☐H-203015	2030S	2030P	166	266
300x200x150	11.81x7.87x5.91	JDA-A☐H-302015	JDA-P☐H-302015	JDA-C☐H-302015	2030S	2030P	166	266
200x300x180	7.87x11.81x7.09	JDA-A☐H-203018	JDA-P☐H-203018	JDA-C☐H-203018	2030S	2030P	166	266
300x200x180	11.81x7.87x7.09	JDA-A☐H-302018	JDA-P☐H-302018	JDA-C☐H-302018	2030S	2030P	166	266
250x350x150	9.84x13.78x5.91	JDA-A☐H-253515	JDA-P☐H-253515	JDA-C☐H-253515	2535S	2535P	216	316
350x250x150	13.78x9.84x5.91	JDA-A☐H-352515	JDA-P☐H-352515	JDA-C☐H-352515	2535S	2535P	216	316
300x400x150	11.81x15.75x5.91	JDA-A☐H-304015	JDA-P☐H-304015	JDA-C☐H-304015	3040S	3040P	265	365
400x300x150	15.75x11.81x5.91	JDA-A☐H-403015	JDA-P☐H-403015	JDA-C☐H-403015	3040S	3040P	265	365
300x400x180	11.81x15.75x7.09	JDA-A☐H-304018	JDA-P☐H-304018	JDA-C☐H-304018	3040S	3040P	265	365
400x300x180	15.75x11.81x7.09	JDA-A☐H-403018	JDA-P☐H-403018	JDA-C☐H-403018	3040S	3040P	265	365
350x450x160	13.78x17.72x6.30	JDA-A☐H-354516	JDA-P☐H-354516	JDA-C☐H-354516	3545S	3545P	306	407
450x350x160	17.72x13.78x6.30	JDA-A☐H-453516	JDA-P☐H-453516	JDA-C☐H-453516	3545S	3545P	306	407
350x450x200	13.78x17.72x7.87	JDA-A☐H-354520	JDA-P☐H-354520	JDA-C☐H-354520	3545S	3545P	306	407
450x350x200	17.72x13.78x7.87	JDA-A☐H-453520	JDA-P☐H-453520	JDA-C☐H-453520	3545S	3545P	306	407
400x500x200	15.75x19.69x7.87	JDA-A☐H-405020	JDA-P☐H-405020	JDA-C☐H-405020	4050S	4050P	358	458
500x400x200	19.69x15.75x7.87	JDA-A☐H-504020	JDA-P☐H-504020	JDA-C☐H-504020	4050S	4050P	358	458
400x600x230	15.75x23.62x9.06	JDA-A☐H-406023	JDA-P☐H-406023	JDA-C☐H-406023	4060S	4060P	358	558
600x400x230	23.62x15.75x9.06	JDA-A☐H-604023	JDA-P☐H-604023	JDA-C☐H-604023	4060S	4060P	358	558

600x400x230 is for non water proof product.

## Accessories

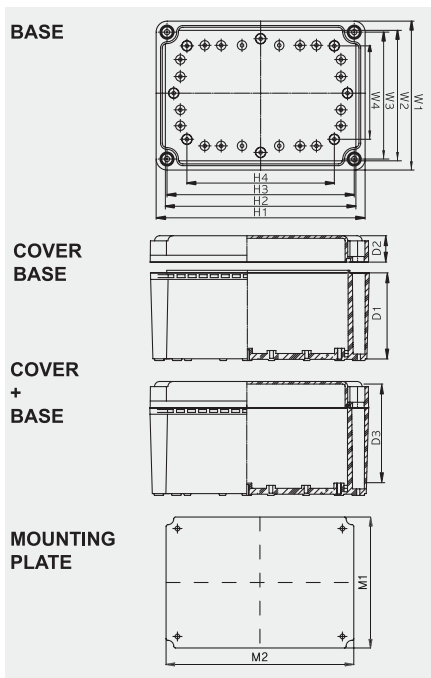


■ **H Series - Medium size**



**Dimension** ( allowable error± 1mm)

The dimension of mounting plate is based on the plastic mounting plate and the dimension of around bracket is steel mounting plate.



Division Size	W1	W2	W3	W4	H1	H2	H3	H4	D1	D2	D3
190x190x130	190	170	165	120	190	170	165	120	98	30	112
190x280x130	190	170	165	120	280	266	255	210	98	30	112
280x190x130	280	266	255	210	190	170	165	120	98	30	112
190x280x180	190	170	165	120	280	266	255	210	150	30	159
280x190x180	280	266	255	210	190	170	165	210	150	30	159
190x380x130	190	170	165	120	380	359	355	310	98	30	109
380x190x130	380	359	355	310	190	170	165	120	98	30	109
190x380x180	190	170	165	120	380	360	355	310	150	30	159
380x190x180	380	359	355	310	190	170	165	120	150	30	159
280x280x130	280	265	365	210	280	210	255	210	98	30	112
280x340x130	280	259	254.7	210	340	319	315	270	100	30	111
340x280x130	340	319	315	270	280	259	254.7	210	100	30	111
280x380x130	280	266	255	210	380	359	315	310	98	30	111
380x280x130	380	359	355	310	280	260	255	210	98	30	111
280x380x180	280	266	255	210	380	359	355	310	148	30	161.5
380x280x180	380	359	355	310	280	266	255	210	148	30	161.5
280x560x130	280	266	255	210	560	535	505	490	100	30	120
560x280x130	560	535	505	490	280	266	255	210	100	30	120
330x430x180	330	310	266	250	430	410	386	350	150	30	160
430x330x180	430	410	386	350	330	310	266	250	150	30	160
380x560x180	380	366	355	310	560	535	505	490	150	30	160
560x380x180	560	535	505	490	360	366	355	310	150	30	160

**Level of dustproof and waterproof**  
**IP 66/67**

**Impact test**  
**IK 07/08**

**Critical temperature**  
**ABS : -40~85**  
**PC : -40~+120**

**Burn poorly**  
**ABS:94-HB**  
**PC/ABS:94-V-0~5VA**  
**PC:94-HB,94-V-0~5VA**



## Product Characteristics

1. It will not be damaged even using for a long time because stainless steel hinge and draw latch are equipped.
2. It has excellent airtightness as it was designed considering bolt open/close type. hinge made of stainless steel and equipment of draw latch.
3. User make hole on the place of equipment simply.

Model and size		Product model			Plate Model		Plate Size	
Model and size(cover included)		ABS	PC/ABS	PC	Steel mounting plate 1.6mm	Plastic mounting plate 3-4.5mm	M1	M2
WidthxLength xHeight (mm)	WidthxLength xHeight (inch)	☐-Grey Cover ▮-Transparent Cover	☐-Grey Cover ▮-Transparent Cover	☐-Grey Cover ▮-Transparent Cover				
190x190x130	7.48x 7.48x5.12	JDA-A☐H-191913	JDA-P☐H-191913	JDA-C☐H-191913	1919S	1919P	159	159
190x280x130	7.48x11.02x5.12	JDA-A☐H-192813	JDA-P☐H-192813	JDA-C☐H-192813	1928S	1928P	159	248
280x190x130	11.02x 7.48x5.12	JDA-A☐H-281913	JDA-P☐H-281913	JDA-C☐H-281913	2819S	2819P	159	248
190x280x180	7.48x11.02x7.09	JDA-A☐H-192818	JDA-P☐H-192818	JDA-C☐H-192818	1928S	1928P	159	248
280x190x180	11.02x 7.48x7.09	JDA-A☐H-281918	JDA-P☐H-281918	JDA-C☐H-281918	2819S	2819P	159	248
190x380x130	7.48x14.96x5.12	JDA-A☐H-193813	JDA-P☐H-193813	JDA-C☐H-193813	1938S	1938P	159	348
380x190x130	14.96x 7.48x5.12	JDA-A☐H-381913	JDA-P☐H-381913	JDA-C☐H-381913	3819S	3819P	159	348
190x380x180	7.48x14.96x7.09	JDA-A☐H-193818	JDA-P☐H-193818	JDA-C☐H-193818	1938S	1938P	159	348
380x190x180	14.96x 7.48x7.09	JDA-A☐H-381918	JDA-P☐H-381918	JDA-C☐H-381918	3819S	3819P	159	348
280x280x130	11.02x11.02x5.12	JDA-A☐H-282813	JDA-P☐H-282813	JDA-C☐H-282813	2828S	2828P	248	248
280x340x130	11.02x13.39x5.12	JDA-A☐H-283413	JDA-P☐H-283413	JDA-C☐H-283413	2834S	2834P	248	308
340x280x130	13.39x11.02x5.12	JDA-A☐H-342813	JDA-P☐H-342813	JDA-C☐H-342813	3428S	3428P	308	248
280x380x130	11.02x14.96x5.12	JDA-A☐H-283813	JDA-P☐H-283813	JDA-C☐H-283813	2838S	2838P	248	348
380x280x130	14.96x11.02x5.12	JDA-A☐H-382813	JDA-P☐H-382813	JDA-C☐H-382813	3828S	3828P	248	348
280x380x180	11.02x14.96x7.09	JDA-A☐H-283818	JDA-P☐H-283818	JDA-C☐H-283818	2838S	2838P	248	348
380x280x180	14.96x11.02x7.09	JDA-A☐H-382818	JDA-P☐H-382818	JDA-C☐H-382818	3828S	3828P	348	348
280x560x130	11.02x22.05x5.12	JDA-A☐H-285613	JDA-P☐H-285613	JDA-C☐H-285613	2856S		(230)	(535)
560x280x130	22.05x11.02x5.12	JDA-A☐H-562813	JDA-P☐H-562813	JDA-C☐H-562813	5628S		(232)	(535)
330x430x180	12.99x16.93x7.09	JDA-A☐H-334318	JDA-P☐H-334318	JDA-C☐H-334318	3343S	3343 P	(295)	(395)
430x330x180	16.93x12.99x7.09	JDA-A☐H-433318	JDA-P☐H-433318	JDA-C☐H-433318	4333S	4333 P	(295)	(395)
380x560x180	14.96x22.05x7.09	JDA-A☐H-385618	JDA-P☐H-385618	JDA-C☐H-385618	3856S		(345)	(535)
560x380x180	22.05x14.96x7.09	JDA-A☐H-563818	JDA-P☐H-563818	JDA-C☐H-563818	5638S		(345)	(535)

560x280x130, 580x380x180 is for non water proof product.

## Accessories



Steel mounting plate  
(Zinc plating)



Plastic mounting plate  
(ABS)



Key ring  
(K40)



Locker  
(SK)



Plastic locker  
(PK)



Wall mounting bracket  
(B50)



Draw Latch  
(H65)



Hinge  
(H65)



Stopper  
(M22)

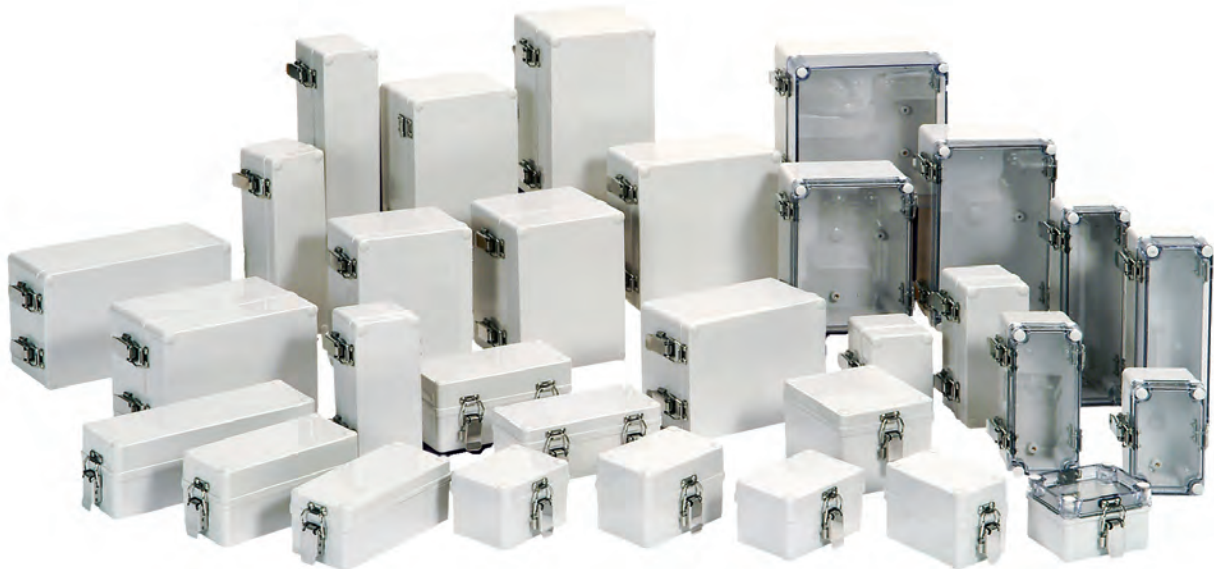


Vent  
(V60, V80)



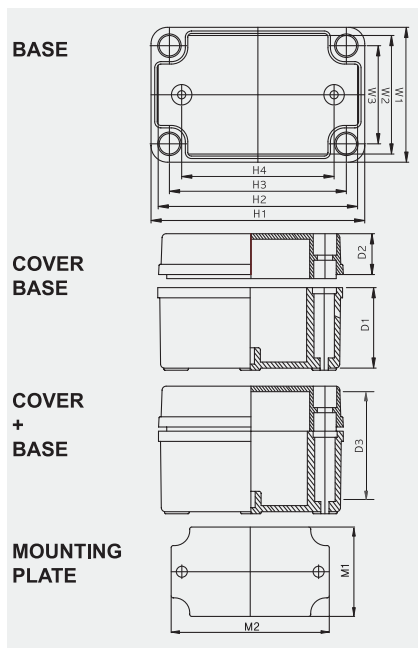
Plastic bracket  
(PB25)

■ **H Series - Small size**



**Dimension** (allowable error ± 1mm)

The dimension of mounting plate is based on the plastic mounting plate and the dimension of around bracket is steel mounting plate.



Division Size	Division				H1	H2	H3	H4	D1	D2	D3
	W1	W2	W3	W4							
80x110x 70	80	74	62	0	110	104	92	80	50	20	53
110x 80x 70	110	104	92	80	80	74	62	0	50	20	53
80x110x 85	80	74	62	0	110	104	92	80	50	35	68
110x 80x 85	110	104	92	80	80	74	62	0	50	35	68
80x130x 70	80	74	62	0	130	124	112	100	50	20	53
130x 80x 70	130	124	112	100	80	74	62	0	50	20	53
80x130x 85	80	74	62	0	130	124	112	100	50	35	68
130x 80x 85	130	124	112	100	80	74	62	0	50	35	68
80x180x 70	80	74	62	0	180	174	162	150	50	20	53
180x 80x 70	180	174	162	150	80	74	62	0	50	20	53
80x180x 85	80	74	62	0	180	174	162	150	50	35	68
180x 80x 85	180	174	162	150	80	74	62	0	50	35	68
80x250x 70	80	74	62	0	250	244	232	220	50	20	52
250x 80x 70	250	244	232	220	80	74	62	0	50	20	52
80x250x 85	80	74	62	0	250	244	232	220	50	35	67
250x 80x 85	250	244	232	220	80	74	62	0	50	35	67
100x100x 75	100	94	82	0	100	94	82	60	55	20	58
100x100x100	100	94	82	0	100	94	82	60	80	20	83
125x125x 75	125	119	105	0	125	119	105	70	55	20	58
125x125x100	125	119	105	0	125	119	105	70	80	20	83
125x175x 75	127	121	109	0	175	169	157	140	50	25	58
175x125x 75	175	169	157	140	127	121	109	0	50	25	58
125x175x100	127	121	109	0	175	169	157	140	50	50	83
175x125x100	175	169	157	140	127	121	109	0	50	50	83
140x170x 95	143	137	122	0	173	167	152	130	75	20	77
170x140x 95	173	167	152	130	143	137	122	0	75	20	77
140x230x 95	140	134	122	0	230	224	212	190	75	20	77
230x140x 95	230	224	212	190	140	134	122	0	75	25	77
150x150x 75	150	144	110	0	150	144	132	110	55	20	58
150x150x100	150	144	110	0	150	144	132	110	80	20	83
150x200x 75	150	142	132	0	200	192	182	160	55	20	58
200x150x 75	200	192	182	160	150	142	132	0	55	20	58
150x200x100	150	142	132	0	200	192	182	160	80	20	83
200x150x100	200	192	182	160	150	142	132	0	80	20	83
150x200x130	150	142	132	0	200	192	182	160	110	20	111
200x150x130	200	192	182	160	150	142	132	0	110	20	111
150x200x160	150	142	132	0	200	192	182	160	110	50	149
200x150x160	200	192	182	160	150	142	132	0	110	50	149
150x250x100	150	142	132	0	250	242	232	210	80	20	83
250x150x100	250	242	232	210	150	142	132	0	80	20	83
150x250x130	150	142	132	0	250	242	232	210	80	50	113
250x150x130	250	242	232	210	150	142	132	0	80	50	113
200x200x100	200	193	132	0	200	193	182	120	80	20	82
200x200x130	200	193	132	0	200	193	182	120	110	20	111
200x200x160	200	193	132	0	200	193	182	120	110	50	141

**Level of dustproof and waterproof**  
 IP 66~67

**Impact test**  
 IK 07/08

**Critical temperature**  
 ABS : -40~85  
 PC : -40~+120

**Burn poorly**  
 ABS : 94-HB  
 PC/ABS : 94-V-0~5VA  
 PC:94-HB,94-V-0~5VA



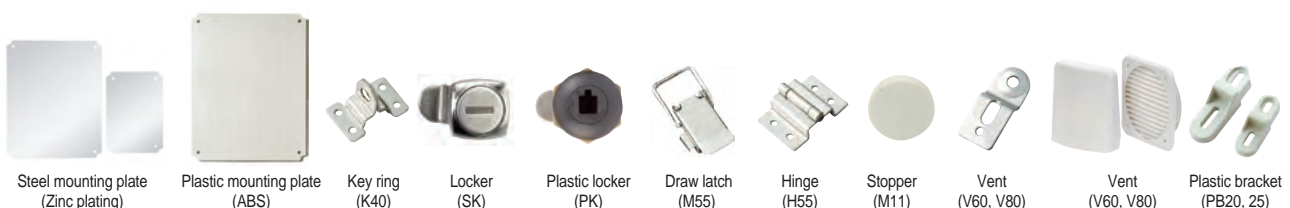


## Product Characteristics

1. It will not be damaged even using for a long time because stainless steel hinge and draw latch are equipped.
2. Ring is equipped at correct place after processing so that it has perfect airtight and convenience to open and close.
3. We reinforce the thickness and structure to be used longer time.

Model and size		Product model			Plate Model		Plate Size	
Model and size(cover included)		ABS	PC/ABS	PC	Steel mounting plate 1.6mm	Plastic mounting plate 3-4.5mm	M1	M2
WidthxLength xHeight (mm)	WidthxLength xHeight (inch)	☒-Grey Cover ☒-Transparent Cover	☒-Grey Cover ☒-Transparent Cover	☒-Grey Cover ☒-Transparent Cover				
80 x 110 x 70	3.15 x 4.33 x 2.76	JDA-A□H-081107	JDA-P□H-081107	JDA-C□H-081107	0811 S	0811 P	64	94
110 x 80 x 70	4.33 x 3.15 x 2.76	JDA-A□H-110807	JDA-P□H-110807	JDA-C□H-110807	1108 S	1108 P	64	94
80 x 110 x 85	3.15 x 4.33 x 3.35	JDA-A□H-081108	JDA-P□H-081108	JDA-C□H-081108	0811 S	0811 P	64	94
110 x 80 x 85	4.33 x 3.15 x 3.35	JDA-A□H-110808	JDA-P□H-110808	JDA-C□H-110808	1108 S	1108 P	64	94
80 x 130 x 70	3.15 x 5.12 x 2.76	JDA-A□H-081307	JDA-P□H-081307	JDA-C□H-081307	0813 S	0813 P	65	115
130 x 80 x 70	5.12 x 3.15 x 2.76	JDA-A□H-130807	JDA-P□H-130807	JDA-C□H-130807	1308 S	1308 P	65	115
80 x 130 x 85	3.15 x 5.12 x 3.35	JDA-A□H-081308	JDA-P□H-081308	JDA-C□H-081308	0813 S	0813 P	65	115
130 x 80 x 85	5.12 x 3.15 x 3.35	JDA-A□H-130808	JDA-P□H-130808	JDA-C□H-130808	1308 S	1308 P	65	115
80 x 180 x 70	3.15 x 7.09 x 2.76	JDA-A□H-081807	JDA-P□H-081807	JDA-C□H-081807	0818 S	0818 P	65	165
180 x 80 x 70	7.09 x 3.15 x 2.76	JDA-A□H-180807	JDA-P□H-180807	JDA-C□H-180807	1808 S	1808 P	65	165
80 x 180 x 85	3.15 x 7.09 x 3.35	JDA-A□H-081808	JDA-P□H-081808	JDA-C□H-081808	0818 S	0818 P	65	165
180 x 80 x 85	7.09 x 3.15 x 3.35	JDA-A□H-180808	JDA-P□H-180808	JDA-C□H-180808	1808 S	1808 P	65	165
80 x 250 x 70	3.15 x 9.84 x 2.76	JDA-A□H-082507	JDA-P□H-082507	JDA-C□H-082507	0825 S	0825 P	65	235
250 x 80 x 70	9.84 x 3.15 x 2.76	JDA-A□H-250807	JDA-P□H-250807	JDA-C□H-250807	2508 S	2508 P	65	235
80 x 250 x 85	3.15 x 9.84 x 3.35	JDA-A□H-082508	JDA-P□H-082508	JDA-C□H-082508	0825 S	0825 P	65	235
250 x 80 x 85	9.84 x 3.15 x 3.35	JDA-A□H-250808	JDA-P□H-250808	JDA-C□H-250808	2508 S	2508 P	65	235
100 x 100 x 75	3.94 x 3.94 x 2.95	JDA-A□H-101007	JDA-P□H-101007	JDA-C□H-101007	1010 S	1010 P	82	82
100 x 100 x 100	3.94 x 3.94 x 3.94	JDA-A□H-101010	JDA-P□H-101010	JDA-C□H-101010	1010 S	1010 P	82	82
125 x 125 x 75	4.92 x 4.92 x 2.95	JDA-A□H-121207	JDA-P□H-121207	JDA-C□H-121207	1212 S	1212 P	107	107
125 x 125 x 100	4.92 x 4.92 x 3.94	JDA-A□H-121210	JDA-P□H-121210	JDA-C□H-121210	1212 S	1212 P	107	107
125 x 175 x 75	4.92 x 6.89 x 2.95	JDA-A□H-121707	JDA-P□H-121707	JDA-C□H-121707	1217 S	1217 P	113	161
175 x 125 x 75	6.89 x 4.92 x 2.95	JDA-A□H-171207	JDA-P□H-171207	JDA-C□H-171207	1712 S	1712 P	113	161
125 x 175 x 100	4.92 x 6.89 x 3.94	JDA-A□H-121710	JDA-P□H-121710	JDA-C□H-121710	1217 S	1217 P	113	161
175 x 125 x 100	6.89 x 4.92 x 3.94	JDA-A□H-171210	JDA-P□H-171210	JDA-C□H-171210	1712 S	1712 P	113	161
140 x 170 x 95	5.51 x 6.69 x 3.74	JDA-A□H-141709	JDA-P□H-141709	JDA-C□H-141709	1417 S	1417 P	126	155
170 x 140 x 95	6.69 x 5.51 x 3.74	JDA-A□H-171409	JDA-P□H-171409	JDA-C□H-171409	1714 S	1714 P	126	155
140 x 230 x 95	5.51 x 9.06 x 3.74	JDA-A□H-142309	JDA-P□H-142309	JDA-C□H-142309	1423 S	1423 P	122	212
230 x 140 x 95	9.06 x 5.51 x 3.74	JDA-A□H-231409	JDA-P□H-231409	JDA-C□H-231409	2314 S	2314 P	122	212
150 x 150 x 75	5.91 x 5.91 x 2.95	JDA-A□H-151507	JDA-P□H-151507	JDA-C□H-151507	1515 S	1515 P	123	123
150 x 150 x 100	5.91 x 5.91 x 3.94	JDA-A□H-151510	JDA-P□H-151510	JDA-C□H-151510	1515 S	1515 P	123	123
150 x 200 x 75	5.91 x 7.87 x 2.95	JDA-A□H-152007	JDA-P□H-152007	JDA-C□H-152007	1520 S	1520 P	129	179
200 x 150 x 75	7.87 x 5.91 x 2.95	JDA-A□H-201507	JDA-P□H-201507	JDA-C□H-201507	2015 S	2015 P	129	179
150 x 200 x 100	5.91 x 7.87 x 3.94	JDA-A□H-152010	JDA-P□H-152010	JDA-C□H-152010	1520 S	1520 P	129	179
200 x 150 x 100	7.87 x 5.91 x 3.94	JDA-A□H-201510	JDA-P□H-201510	JDA-C□H-201510	2015 S	2015 P	129	179
150 x 200 x 130	5.91 x 7.87 x 5.12	JDA-A□H-152013	JDA-P□H-152013	JDA-C□H-152013	1520 S	1520 P	129	179
200 x 150 x 130	7.87 x 5.91 x 5.12	JDA-A□H-201513	JDA-P□H-201513	JDA-C□H-201513	2015 S	2015 P	129	179
150 x 200 x 160	5.91 x 7.87 x 6.30	JDA-A□H-152016	JDA-P□H-152016	JDA-C□H-152016	2020 S	2020 P	129	179
200 x 150 x 160	7.87 x 5.91 x 6.30	JDA-A□H-201516	JDA-P□H-201516	JDA-C□H-201516	2020 S	2020 P	129	179
150 x 250 x 100	5.91 x 9.84 x 3.94	JDA-A□H-152510	JDA-P□H-152510	JDA-C□H-152510	1525 S	1525 P	129	224
250 x 150 x 100	9.84 x 5.91 x 3.94	JDA-A□H-251510	JDA-P□H-251510	JDA-C□H-251510	2515 S	2515 P	129	224
150 x 250 x 130	5.91 x 9.84 x 5.12	JDA-A□H-152513	JDA-P□H-152513	JDA-C□H-152513	1525 S	1525 P	129	224
250 x 150 x 130	9.84 x 5.91 x 5.12	JDA-A□H-251513	JDA-P□H-251513	JDA-C□H-251513	2515 S	2515 P	129	224
200 x 200 x 100	7.87 x 7.87 x 3.94	JDA-A□H-202010	JDA-P□H-202010	JDA-C□H-202010	2020 S	2020 P	179	179
200 x 200 x 130	7.87 x 7.87 x 5.12	JDA-A□H-202013	JDA-P□H-202013	JDA-C□H-202013	2020 S	2020 P	179	179
200 x 200 x 160	7.87 x 7.87 x 6.30	JDA-A□H-202016	JDA-P□H-202016	JDA-C□H-202016	2020 S	2020 P	179	179

## Accessories

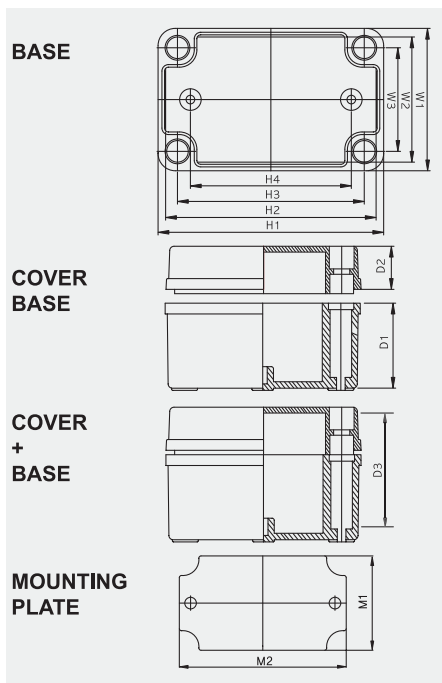


■ **S Series - Medium size**



**Dimension ( allowable error± 1mm)**

The dimension of mounting plate is based on the plastic mounting plate and the dimension of around bracket is steel mounting plate.



Division Size	W1	W2	W3	W4	H1	H2	H3	H4	D1	D2	D3
190x190x130	190	170	165	120	190	170	165	120	98	30	112
190x280x130	190	170	165	120	280	266	255	210	98	30	112
190x280x180	190	170	165	120	280	266	255	210	150	30	159
190x380x130	190	170	165	120	380	359	355	310	98	30	109
190x380x180	190	170	165	120	380	360	355	310	150	30	159
280x280x130	280	266	255	210	280	266	255	210	98	30	112
280x340x130	280	259	254.7	210	340	319	315	270	100	30	111
280x380x130	280	266	255	210	380	359	355	310	98	30	111
280x380x180	280	266	255	210	380	359	355	310	150	30	161.5
280x560x130	280	296	255	210	560	535	505	490	100	30	120
330x430x180	330				430				150		
380x560x180	380	366	355	310	560	535	505	490	150	30	160

**Level of dustproof and waterproof**  
 IP 66~67

**Impact test**  
 IK 07/08

**Critical temperature**  
 ABS : -40~85  
 PC : -40~+120

**Burn poorly**  
 ABS : 94-HB  
 PC/ABS : 94-V-0~5VA  
 PC:94-HB,94-V-0~5VA



## Product Characteristics

1. Screw thread for connecting cover bolt of the base is inserted into the base in injection molding so that it has sufficient strength and not broken when tightening bolt.
2. It is designed as 4 side sliding type to be strong against impact.

Model and size		Product model			Plate Model		Plate Size	
Model and size(cover included)		ABS	PC/ABS	PC	Steel mounting plate 1.6mm	Plastic mounting plate 3-4.5mm	M1	M2
WidthxLengthxHeight (mm)	WidthxLengthxHeight (inch)	☐-Grey Cover ▮-Transparent Cover	☐-Grey Cover ▮-Transparent Cover	☐-Grey Cover ▮-Transparent Cover				
		190x190x130	7.48x 7.48x5.12	JDA-A☐S-191913	JDA-P☐S-191913	JDA-C☐S-191913	1919 S	1919 P
190x280x130	7.48x11.02x5.12	JDA-A☐S-192813	JDA-P☐S-192813	JDA-C☐S-192813	1928 S	1928 P	159	248
190x280x180	7.48x11.02x7.09	JDA-A☐S-192818	JDA-P☐S-192818	JDA-C☐S-192818	1928 S	1928 P	159	248
190x380x130	7.48x14.96x5.12	JDA-A☐S-193813	JDA-P☐S-193813	JDA-C☐S-193813	1938 S	1938 P	159	348
190x380x180	7.48x14.96x7.09	JDA-A☐S-193818	JDA-P☐S-193818	JDA-C☐S-193818	1938 S	1938 P	159	348
280x280x130	11.02x11.02x5.12	JDA-A☐S-282813	JDA-P☐S-282813	JDA-C☐S-282813	2828 S	2828 P	248	248
280x340x130	11.02x13.39x5.12	JDA-A☐S-283413	JDA-P☐S-283413	JDA-C☐S-283413	2834 S	2834 P	248	308
280x380x130	11.02x14.96x5.12	JDA-A☐S-283813	JDA-P☐S-283813	JDA-C☐S-283813	2838 S	2838 P	248	348
280x380x180	11.02x14.96x7.09	JDA-A☐S-283818	JDA-P☐S-283818	JDA-C☐S-283818	2838 S	2838 P	248	348
280x560x130	11.02x22.05x5.12	JDA-A☐S-285613	JDA-P☐S-285613	JDA-C☐S-285613	2856 S		(232)	(535)
330x430x180	12.99x16.93x7.09	JDA-A☐S-334318	JDA-P☐S-334318	JDA-C☐S-334318	3343 S	3343 P	(295)	(395)
380x560x180	14.96x22.05x7.09	JDA-A☐S-385618	JDA-P☐S-385618	JDA-C☐S-385618	3856 S		(345)	(535)

## Accessories

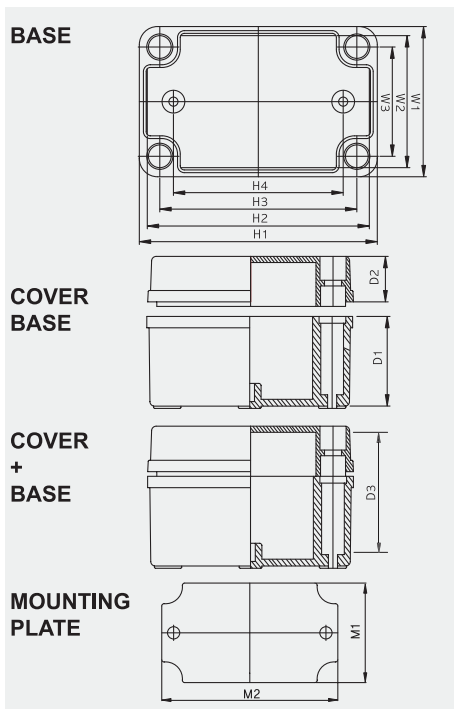


■ **S Series - Small size**



**Dimension** ( allowable error± 1mm)

The dimension of mounting plate is based on the plastic mounting plate and the dimension of around bracket is steel's mounting plate.



Division	W1	W2	W3	H1	H2	H3	H4	D1	D2	D3
Size										
50x 65x 45	50	44	37	65	59	52	40	30	15	29.5
50x 65x 55	50	44	37	65	59	52	40	40	15	39.5
65x 95x 55	65	59	47	95	89	77	65	40	15	39.5
75x105x 55	75	69	57	105	99	87	75	40	15	39.5
80x 80x 60	80	74	62	80	94	62	50	45	15	43
80x110x 45	80	74	62	110	104	92	80	25	20	28
80x110x 70	80	74	62	110	104	92	80	50	20	53
80x110x 85	80	74	62	110	104	92	80	50	35	68
80x130x 70	80	74	62	130	124	112	100	50	20	53
80x130x 85	80	74	62	130	124	112	100	50	35	68
80x160x 55	82	76	68	162	156	148	137	40	15	38
80x160x 85	82	76	68	162	156	148	137	70	15	68
80x180x 70	80	74	62	180	174	162	150	50	20	53
80x180x 85	80	74	62	180	174	162	150	50	35	68
80x250x 70	80	74	62	250	244	232	220	50	20	52
80x250x 85	80	74	62	250	244	232	220	50	35	67
100x100x 75	100	94	82	100	94	82	60	55	20	58
100x100x100	100	94	82	100	94	82	60	80	20	83
100x185x 70	100	94	82	185	179	167	139	55	15	53
100x200x 70	100	94	82	200	194	182	158	55	15	53
100x230x 70	100	94	82	230	224	212	184	55	15	53
125x125x 75	125	119	105	125	119	105	70	55	20	58
125x125x100	125	119	105	125	119	105	70	80	20	83
125x175x 75	125	121	109	175	169	157	140	50	25	58
125x175x100	125	121	109	175	169	157	140	50	50	83
140x170x 95	140	137	122	173	167	152	130	75	20	77
140x230x 95	140	134	122	230	224	212	190	75	20	77
150x150x 75	150	144	110	150	144	132	110	55	20	58
150x150x100	150	144	110	150	144	132	110	80	20	83
150x200x 75	150	142	132	200	192	182	160	55	20	58
150x200x100	150	142	132	200	192	182	160	80	20	83
150x200x130	150	142	132	200	192	182	160	110	20	111
150x200x160	150	142	132	200	192	182	160	110	50	149
150x250x100	150	142	132	250	242	232	210	80	20	83
150x250x130	150	142	132	250	242	232	210	80	50	113
160x160x 70	160	154	110	160	154	142	110	55	15	53
200x200x100	200	193	182	200	193	182	120	80	20	82
200x200x130	200	193	132	200	193	182	120	110	20	111
200x200x160	200	193	132	200	193	182	120	110	50	141

<b>Level of dustproof and waterproof</b>
IP 66-67
<b>Impact test</b>
IK 07/08
<b>Critical temperature</b>
ABS : -40~85
PC : -40~+120
<b>Burn poorly</b>
ABS : 94-HB
PC/ABS : 94-V-0~5VA
PC:94-HB,94-V-0~5VA



## Product Characteristics

1. Screw thread connecting cover bolt of the base in inserted into the base in injection molding so that it has sufficient strength and not broken when tightening bolt.
2. It can be used semi-permanently as we reinforced thickness

Modeland size									
Modeland size(cover i ncluded)		productmodel			plate Model		plate Size		
Widthxlength xHeight (mm)	Widthxlength xHeight (inch)	ABS	PC/ABS	PC	Steel mounting plate 1.6mm	Plastic mounting plate 3-4.5mm	M1	M2	
		☐-Grey Cover ☐-Transparent Cover	☐-Grey Cover ☐-Transparent Cover	☐-Grey Cover ☐-Transparent Cover					
50x 65x 45	1.97x2.56x1.77	JDA-A☐S-050604	JDA-P☐S-050604	JDA-C☐S-050604	0506 S		(52)	(38)	
50x 65x 55	1.97x2.56x2.17	JDA-A☐S-050605	JDA-P☐S-050605	JDA-C☐S-050605	0506 S		(52)	(38)	
65x 95x 55	2.56x3.74x2.17	JDA-A☐S-060905	JDA-P☐S-060905	JDA-C☐S-060905	0609 S		(50)	(80)	
75x105x 55	2.95x4.13x2.17	JDA-A☐S-071005	JDA-P☐S-071005	JDA-C☐S-071005	0710 S		(60)	(90)	
80x 80x 60	3.15x3.15x2.36	JDA-A☐S-080806	JDA-P☐S-080806	JDA-C☐S-080806	0808 S		(65)	(65)	
80x110x 45	3.15x4.33x1.77	JDA-A☐S-081104	JDA-P☐S-081104	JDA-C☐S-081104	0811 S	0811 P	65	95	
80x110x 70	3.15x4.33x2.76	JDA-A☐S-081107	JDA-P☐S-081107	JDA-C☐S-081107	0811 S	0811 P	65	95	
80x110x 85	3.15x4.33x3.35	JDA-A☐S-081108	JDA-P☐S-081108	JDA-C☐S-081108	0811 S	0811 P	65	95	
80x130x 70	3.15x5.12x2.76	JDA-A☐S-081307	JDA-P☐S-081307	JDA-C☐S-081307	0813 S	0813 P	65	115	
80x130x 85	3.15x5.12x3.35	JDA-A☐S-081308	JDA-P☐S-081308	JDA-C☐S-081308	0813 S	0813 P	65	115	
80x160x 55	3.15x6.30x2.17	JDA-A☐S-081605	JDA-P☐S-081605	JDA-C☐S-081605	0816 S	0816 P	65	152	
80x160x 85	3.15x6.30x3.35	JDA-A☐S-081608	JDA-P☐S-081608	JDA-C☐S-081608	0816 S	0816 P	65	152	
80x180x 70	3.15x7.09x2.76	JDA-A☐S-081807	JDA-P☐S-081807	JDA-C☐S-081807	0818 S	0818 P	65	165	
80x180x 85	3.15x7.09x3.35	JDA-A☐S-081808	JDA-P☐S-081808	JDA-C☐S-081808	0818 S	0818 P	65	165	
80x250x 70	3.15x9.84x2.76	JDA-A☐S-082507	JDA-P☐S-082507	JDA-C☐S-082507	0825 S	0825 P	65	235	
80x250x 85	3.15x9.84x3.35	JDA-A☐S-082508	JDA-P☐S-082508	JDA-C☐S-082508	0825 S	0825 P	65	235	
100x100x 75	3.94x3.94x2.95	JDA-A☐S-101007	JDA-P☐S-101007	JDA-C☐S-101007	1010 S	1010 P	88	89	
100x100x100	3.94x3.94x3.94	JDA-A☐S-101010	JDA-P☐S-101010	JDA-C☐S-101010	1010 S	1010 P	88	89	
100x185x 70	3.94x7.28x2.76	JDA-A☐S-101807	JDA-P☐S-101807	JDA-C☐S-101807	1018 S	1018 P	(88)	(174)	
100x200x 70	3.94x7.87x2.76	JDA-A☐S-102007	JDA-P☐S-102007	JDA-C☐S-102007	1020 S		(88)	(189)	
100x230x 70	3.94x9.06x2.76	JDA-A☐S-102307	JDA-P☐S-102307	JDA-C☐S-102307	1023 S		(88)	(219)	
125x125x 75	4.92x4.92x2.95	JDA-A☐S-121207	JDA-P☐S-121207	JDA-C☐S-121207	1212 S	1212 P	101	102	
125x125x100	4.95x4.92x3.94	JDA-A☐S-121210	JDA-P☐S-121210	JDA-C☐S-121210	1212 S	1212 P	101	102	
125x175x 75	4.92x6.89x2.95	JDA-A☐S-121707	JDA-P☐S-121707	JDA-C☐S-121707	1217 S	1217 P	101	156	
125x175x100	4.92x6.89x3.94	JDA-A☐S-121710	JDA-P☐S-121710	JDA-C☐S-121710	1217 S	1217 P	101	156	
140x170x 95	5.51x6.69x3.74	JDA-A☐S-141709	JDA-P☐S-141709	JDA-C☐S-141709	1417 S	1417 P	122	154	
140x230x 95	5.51x9.06x3.74	JDA-A☐S-142309	JDA-P☐S-142309	JDA-C☐S-142309	1423 S	1423 P	122	211	
150x150x 75	5.91x5.91x2.95	JDA-A☐S-151507	JDA-P☐S-151507	JDA-C☐S-151507	1515 S	1515 P	134	134	
150x150x100	5.91x5.91x3.94	JDA-A☐S-151510	JDA-P☐S-151510	JDA-C☐S-151510	1515 S	1515 P	134	134	
150x200x 75	5.91x7.87x2.95	JDA-A☐S-152007	JDA-P☐S-152007	JDA-C☐S-152007	1520 S	1520 P	136	186	
150x200x100	5.91x7.87x3.94	JDA-A☐S-152010	JDA-P☐S-152010	JDA-C☐S-152010	1520 S	1520 P	136	186	
150x200x130	5.91x7.87x5.12	JDA-A☐S-152013	JDA-P☐S-152013	JDA-C☐S-152013	1520 S	1520 P	129	179	
150x200x160	5.91x7.87x6.30	JDA-A☐S-152016	JDA-P☐S-152016	JDA-C☐S-152016	2020 S	2020 P	129	179	
150x250x100	5.91x9.84x3.94	JDA-A☐S-152510	JDA-P☐S-152510	JDA-C☐S-152510	1525 S	1525 P	136	235	
150x250x130	5.91x9.84x5.12	JDA-A☐S-152513	JDA-P☐S-152513	JDA-C☐S-152513	1525 S	1525 P	136	235	
160x160x 70	6.30x6.30x2.76	JDA-A☐S-161607	JDA-P☐S-161607	JDA-C☐S-161607	1616 S		134	134	
200x200x100	7.87x7.87x3.94	JDA-A☐S-202010	JDA-P☐S-202010	JDA-C☐S-202010	2020 S	2020 P	187	187	
200x200x130	7.87x7.87x5.12	JDA-A☐S-202013	JDA-P☐S-202013	JDA-C☐S-202013	2020 S	2020 P	187	187	
200x200x160	7.87x7.87x6.30	JDA-A☐S-202016	JDA-P☐S-202016	JDA-C☐S-202016	2020 S	2020 P	187	187	

## Accessories

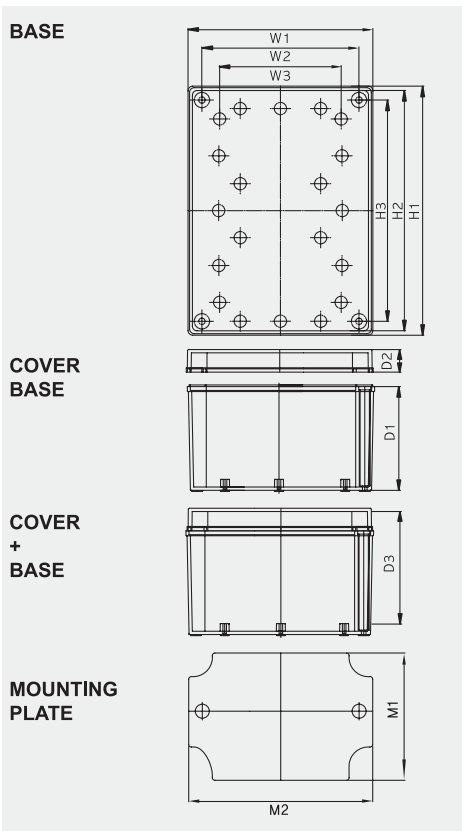


▪ **M Series**



**Dimension** ( allowable error± 1mm)

The dimension of mounting plate is based on the plastic mounting plate and the dimension of around bracket is steel's mounting plate.



Division Size	W1	W2	W3	H1	H2	H3	D1	D2	D3
80x130x 35	80	62	40	130	112	90	25	10	21.5
80x130x 60	80	62	40	130	112	90	50	10	46.5
80x130x 75	80	62	40	130	112	90	65	10	61.5
80x130x 85	80	62	40	130	112	90	50	35	71.5
80x130x100	80	62	40	130	112	90	90	10	87.5
80x130x125	80	112	40	130	112	90	90	35	111.5
130x130x 35	130	112	90	130	112	90	25	10	21.5
130x130x 60	130	112	90	130	112	90	50	10	46.5
130x180x 35	130	112	90	180	162	140	25	10	21.5
130x180x 60	130	132	90	180	162	140	50	10	46.5
150x180x 60	150	162	110.5	180	162	140	50	10	45.5
180x180x 60	180	162	140	180	162	140	50	10	45.5
180x180x 75	180	162	140	180	162	140	65	10	59.5
180x180x100	180	162	140	180	162	140	90	10	84.5
180x180x125	180	162	140	180	162	140	115	10	109.5
180x255x 75	180	162	140	255	237	201.5	60	15	59.5
180x255x100	180	162	140	255	237	201.5	85	15	84.5
180x255x125	180	162	140	255	237	201.5	110	15	109.5

<b>Level of dustproof and waterproof</b>
IP 66-67
<b>Impact test</b>
IK 07/08
<b>Critical temperature</b>
ABS : -40~85 PC : -40~+120
<b>Burn poorly</b>
ABS : 94-HB PC/ABS : 94-V-0~5VA PC:94-HB,94-V-0~5VA



## Product Characteristics

1. Considering attachment of membrane keyboard, this M type Box is designed to make center surface of the cover slightly lower.
2. Screw thread for connecting cover bolt of the base is inserted into the base in injection molding so that it has sufficient strength and not broken when tightening bolt.
3. Cover is low and base is high so that it has refined and stable appearance

Model and size								
Model and size (cover included)		product model			plate Model		plate Size	
Width×Length×Height (mm)	Width×Length×Height (inch)	ABS	PC/ABS	PC	Steel mounting plate 1.6mm	Plastic mounting plate 3-4.5mm	M1	M2
		☐-Grey Cover ☐-Transparent Cover	☐-Grey Cover ☐-Transparent Cover	☐-Grey Cover ☐-Transparent Cover				
80×130× 35	3. 15× 5.12×1.38	JDA-A☐M-081303	JDA-P☐M-081303	JDA-C☐M-081303	0813 S	0813 P	(49)	(98)
80×130× 60	3. 15× 5.12×2.36	JDA A☐M-081306	JDA-P☐M-081306	JDA-C☐M-081306	0813 S	0813 P	(49)	(98)
80×130× 75	3. 15× 5.12×2.95	JDA-A☐M-081307	JDA-P☐M-081307	JDA-C☐M-081307	0813 S	0813 P	(49)	(98)
80×130× 85	3. 15× 5.12×3.35	JDA-A☐M-081308	JDA-P☐M-081308	JDA-C☐M-081308	0813 S	0813 P	(49)	(98)
80×130×100	3. 15× 5.12×3.94	JDA-A☐M-081310	JDA-P☐M-081310	JDA-C☐M-081310	0813 S	0813 P	(49)	(98)
80×130×125	3. 15× 5.12×4.92	JDA-A☐M-081312	JDA-P☐M-081312	JDA-C☐M-081312	0813 S	0813 P	(49)	(98)
130×130× 35	5. 12× 5.12×1.38	JDA-A☐M-131303	JDA-P☐M-131303	JDA-C☐M-131303	1313 S	1313 P	(98)	(98)
130×130× 60	5. 12× 5.12×2.36	JDA A☐M-131306	JDA-P☐M-131306	JDA-C☐M-131306	1313 S	1313 P	(98)	(98)
130×180× 35	5. 12× 7.09×1.38	JDA-A☐M-131803	JDA-P☐M-131803	JDA-C☐M-131803	1318 S	1318 P	113	161
130×180× 60	5. 12× 7.09×2.36	JDA-A☐M-131806	JDA-P☐M-131806	JDA-C☐M-131806	1318 S	1318 P	113	161
150×180× 60	5. 91× 7.09×2.36	JDA-A☐M-151806	JDA-P☐M-151806	JDA-C☐M-151806	1518 S		(123)	(161)
180×180× 60	7. 09× 7.09×2.36	JDA-A☐M-181806	JDA-P☐M-181806	JDA-C☐M-181806	1818 S	1818 P	(148)	(148)
180×180× 75	7. 09× 7.09×2.95	JDA-A☐M-181807	JDA-P☐M-181807	JDA-C☐M-181807	1818 S	1818 P	(148)	(148)
180×180× 100	7. 09× 7.09×3.94	JDA-A☐M-181810	JDA-P☐M-181810	JDA-C☐M-181810	1818 S	1818 P	(148)	(148)
180×180×125	7. 09× 7.09×4.92	JDA-A☐M-181812	JDA-P☐M-181812	JDA-C☐M-181812	1818 S	1818 P	(148)	(148)
180×255× 75	7. 09×10.04×2.95	JDA-A☐M-182507	JDA-P☐M-182507	JDA-C☐M-182507	1825 S		(148)	(223)
180×255×100	7. 09×10.04×3.94	JDA-A☐M-182510	JDA-P☐M-182510	JDA-C☐M-182510	1825 S		(148)	(223)
180×255×125	7. 09×10.04×4.92	JDA-A☐M-182512	JDA-P☐M-182512	JDA-C☐M-182512	1825 S		(148)	(223)

## Accessories



Steel mounting (Zinplating)



Cover bolt (standard provide) (CB10)



Cover boll (optional) (CB20-)



Coverbolt (standard provide) (CB20)



Wallmounting bracket (840)



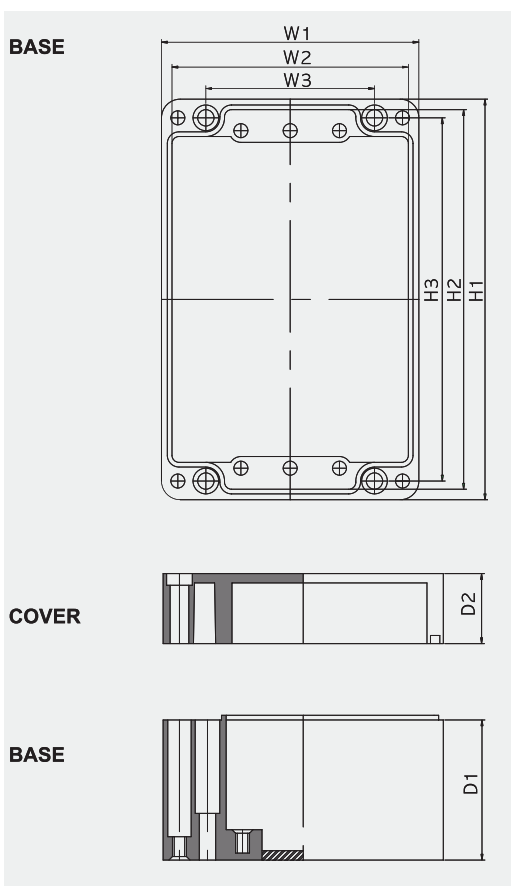
plastic bracket (PB20)



Aluminium Die Casting box



Dimension ( allowable error± 1mm)



Level of dustproof and waterproof  
IP 67,IK 10

Division Size	W1	W2	W3	H1	H2	H3	D1	D2
64x 98x34	68	57.8	36	98	91.8	86	25	9
80x 75x57	80	72	52	75	67	63	42	15
80x125x57	80	72	52	125	117	113	42	15
80x175x57	80	72	52	175	167	163	42	15
80x250x57	80	72	52	250	242	238	42	15
100x100x80	100	92	66	100	92	86	61	20
100x160x80	100	92	66	160	152	146	61	20
120x122x80	120	111	82	122	113	106	61	20
120x220x80	120	111	82	220	211	204	61	20
120x220x90	120	111	82	220	211	204	61	30
150x132x90	150	121	92	132	144	138	70	20
160x160x90	160	151	110	160	151	140	71	20
160x260x90	160	151	110	260	251	240	71	20
180x180x100	180	171	130	180	171	160	71	30
230x200x110	230	230	140	200	193	150	91	20
313x404x111	313	303	262	404	394	382	91	20
313x404x181	313	303	262	404	394	382	161	20

Model and size

Width×Length×Height(mm)	Width×Length×Height(inch)	Aluminium Box	steel mounting plastic	mounting plate
64x 98x 34	2.52x 3.86x1.34	JDA-AL-061003	6010A	
80x 75x 57	3.15x 2.95x2.24	JDA-AL-080806	0808A	
80x125x 57	3.15x 5.00x2.24	JDA-AL-081306	0813A	
80x175x 57	3.15x 6.89x2.24	JDA-AL-081806	0818A	
80x250x 57	3.15x 9.84x2.24	JDA-AL-082506	0825A	
100x100x 80	3.94x 3.94x3.15	JDA-AL-101008	1010A	
100x160x 80	3.94x 7.87x3.15	JDA-AL-101608	1016A	
120x122x 80	4.72x 4.80x3.15	JDA-AL-121208	1212A	
120x220x 80	4.72x 8.66x3.15	JDA-AL-122208	1222A	
120x220x 90	4.72x 8.66x3.54	JDA-AL-122209	1222A	
150x132x 90	5.90x 5.19x3.54	JDA-AL-151309	1513A	
160x160x 90	6.30x 6.30x3.54	JDA-AL-161609	1616A	
160x260x 90	6.30x10.24x3.54	JDA-AL-162609	1626A	1626AP
180x180x100	7.09x 7.09x3.94	JDA-AL-181810	1818A	
230x200x100	9.06x 7.87x4.33	JDA-AL-232011	2320A	2320AP
313x404x111	12.32x 15.9x4.37	JDA-AL-314011	3140A	
313x404x181	13.32x 15.9x7.12	JDA-AL-314018	3140A	





▪ Dual door enclosure



Assembly of dual door kits



Product Characteristics

1. Dual door is easy to open or close as it will be assembled with handle and hinge type.
2. it is very strong as it is fixed with 4 supports and it has good external appearance

Model and size

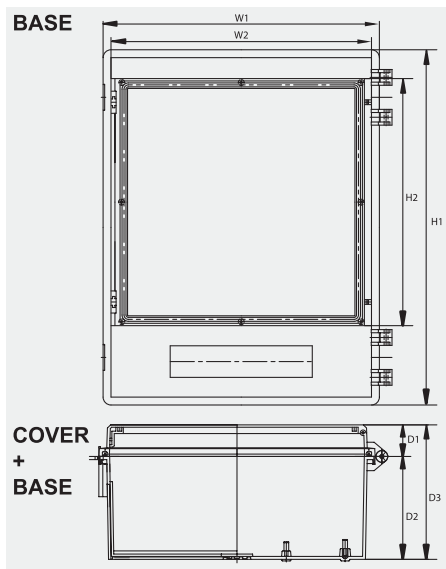
swing frame applicable model		Product model		swing frame applicable model		Product model	
Size	Model	Dual door (frame, support, hinge, handle, included)	Dual door mounting plate (Aluminium)	Size	Model	Dual door (frame, support, hinge, handle, included)	Dual door mounting plate (Aluminium)
WidthxLengthxHeight (mm)				WidthxLengthxHeight (mm)			
200x300x130	JDA-□□P-203013	JDA-F203013	JDA-FA2030	300x400x180	JDA-□□P-304018	JDA-F-304018	JDA-FA3040
200x300x150	JDA-□□P-203015	JDA-F203015	JDA-FA2030	350x450x160	JDA-□□P-354516	JDA-F-354516	JDA-FA3545
200x300x180	JDA-□□P-203018	JDA-F203018	JDA-FA2030	350x450x200	JDA-□□P-354520	JDA-F-354520	JDA-FA3545
250x350x150	JDA-□□P-253515	JDA-F253515	JDA-FA2535	400x500x160	JDA-□□P-405016	JDA-F-405016	JDA-FA4050
250x350x180	JDA-□□P-253518	JDA-F253518	JDA-FA2535	400x500x200	JDA-□□H-405020	JDA-F-405020	JDA-FA4050
280x280x130	JDA-□□P-282813	JDA-F282813	JDA-FA2828	400x500x200	JDA-□□P-405020	JDA-F-405020	JDA-FA4050
280x380x130	JDA-□□P-283813	JDA-F283813	JDA-FA2828	400x600x180	JDA-□□H-406018	JDA-F-406018	JDA-FA4060
300x300x150	JDA-□□P-303015	JDA-F303015	JDA-FA3030	400x600x230	JDA-□□P-406023	JDA-F-406023	JDA-FA4060
300x300x180	JDA-□□P-303018	JDA-F303018	JDA-FA3030	400x600x230	JDA-□□H-406023	JDA-F-406023	JDA-FA4060
300x400x150	JDA-□□P-304015	JDA-F304015	JDA-FA3040	530x630x185	JDA-□□P-506018	JDA-F-506018	JDA-FA5060
				530x630x255	JDA-□□P-506025	JDA-F-506025	JDA-FA5060



▪ All-in-one Dual door Enclosure



Dimension ( allowable error± 1mm)



Product Characteristics

1. It is designed to prevent the penetration of rain or dust perfectly double as roof is protruded from top and bottom of the base.
2. It is easy to separate cover and base so that user can attach or detach them for processing and printing.
3. It is possible to reduce Product price and assembly cost from integrated cover and transparent window.
4. Insert hinge into the product and hinge connecting pin and important parts of draw latch are made of stainless steel so that it is very strong and corrosion resistant.

Model and size

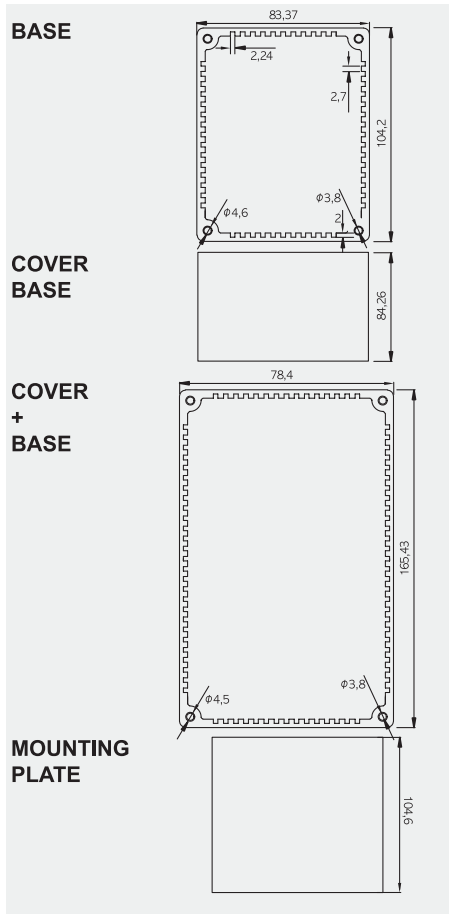
Model and size (cover included)		product model			mounting plate		Dual Model	
Width x Length x Height (mm)	Width x Length x Height (inch)	ABS	PC/ABS	PC	Model No.	Size (mm)	Model No	Size (mm)
250x350x160	9.84x13.77x6.29	JDA-AGD-253516	JDA-PGD-253516	JDA-CGD-253516	2535 P	2535S	D 2535	220x220
250x350x190	9.84x13.77x7.48	JDA-AGD-253519	JDA-PGD-253519	JDA-CGD-253519	2535 P	2535S	D 2535	220x220
350x450x130	13.77x17.71x5.11	JDA-AGD-354513	JDA-PGD-354513	JDA-CGD-354513	3545 P	3545S	D 3545	314x313
350x450x170	13.77x17.71x6.69	JDA-AGD-354517	JDA-PGD-354517	JDA-CGD-354517	3545 P	3545S	D 3545	314x313
350x450x210	13.77x17.71x8.26	JDA-AGD-354521	JDA-PGD-354521	JDA-CGD-354521	3545 P	3545S	D 3545	314x313



▪ JDA aluminium housing for inserting card



Dimension ( allowable error± 1mm)



Product Characteristics

1. Built-in guide slot for inserting PCB
2. Optional extension to length of the profile.
3. Aluminium SBGL is suitable for highly corrosive environment (Custom)
4. Optional EMC-version for Electromagnetic shielding (Custom)

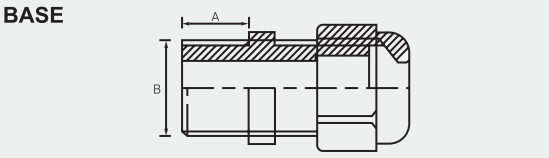
Model and size

product model	Model and size(cover included)	
	Width×Length×Height (mm)	Width×length×Height (inch)
Aluminium		
JDA-ALC-111609	111.5 × 166 × 91.5	4.39 × 6.53 × 3.6
JDA-ALC-172011	173 × 206 × 113	.681 × 8.11 × 4.44



■ Cable Glands - PG Series

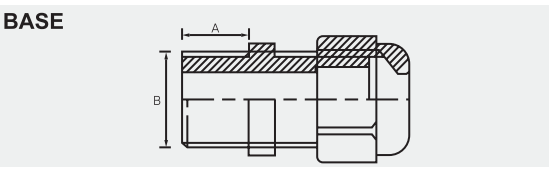
JDA-PG CABLE GLAND



**Model and size**

Node No.			Size Cabe Φmm	A(mm)	B(mm)
Gray	Dark Gray	Back			
JDA-PG 7 -G	JDA-PG 7 -D	JDA-PG 7 -B	3~6	8	12.5
JDA-PG 9 -G	JDA-PG 9 -D	JDA-PG 9 -B	4~8	8	15.2
JDA-PG 11 -G	JDA-PG 11 -D	JDA-PG 11 -B	5~10	8	18.6
JDA-PG 13.5-G	JDA-PG 13.5-D	JDA-PG 13.5-B	6~12	9	20.4
JDA-PG 16 -G	JDA-PG 16 -D	JDA-PG 16 -B	10~14	10	22.5
JDA-PG 19 -G	JDA-PG 19 -D	JDA-PG 19 -B	12~15	10	23.5
JDA-PG 21 -G	JDA-PG 21 -D	JDA-PG 21 -B	13~18	10	28.3
JDA-PG 25 -G	JDA-PG 25 -D	JDA-PG 25 -B	15~19	11	29.5
JDA-PG 29 -G	JDA-PG 29 -D	JDA-PG 29 -B	18~25	12	37
JDA-PG 36 -G	JDA-PG 36 -D	JDA-PG 36 -B	22~32	13.5	47
JDA-PG 42 -G	JDA-PG 42 -D	JDA-PG 42 -B	30~38	14.5	54
JDA-PG 48 -G	JDA-PG 48 -D	JDA-PG 48 -B	34~44	14	59
JDA-PG 63 -G	JDA-PG 63 -D	JDA-PG 63 -B	42~50	27	70

JDA-PG-L LONG GABLE GLAND

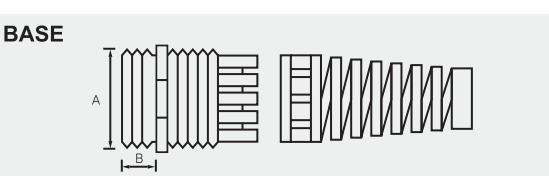


**Model and size**

Node No.		Size Cabe Φmm	A(mm)	B(mm)
Gray				
JDA-PG 7L -G	-G	3.5~6	15	12
JDA-PG 9L -G	-G	4~8	15	16
JDA-PG 11L -G	-G	5~10	15	18
JDA-PG 13.5L -G	-G	6~12	15	20
JDA-PG 16L -G	-G	10~14	15	22

- Product Characteristics**
- Material: Nylon plastic
  - Hermetic seal: Nitrile rubber
  - IP rating: IP66
  - Ambient temperature: -20°C~65°C
  - Supply color: Grey

JDA-BP-PG BEND PROOF CABLE GLAND



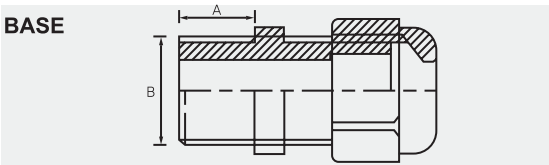
**Model and size**

Artice No.	Cabe Range (mm)	A(mm)	Panel Mountinh Hole
JDA-G-PG 7	3~5.5	12.5	12~12.8
JDA-G-PG 9	8~4.5	15.2	15.2~15.5
JDA-G-PG 11	6~10	18.6	18.6~18.9
JDA-G-PG 13.5	7~12.5	20.4	20.4~20.7
JDA-G-PG 16	8.5~14	22.5	22.5~22.8
JDA-G-PG 21	12.5~18	28.3	28.3~28.7

- Product Characteristics**
- Material: Nylon plastic
  - Hermetic seal: Nitrile rubber
  - Ambient temperature: quiescent state-40°C to 100°C, short time to 120°C dynamic-20°C to 80°C, short time to 100°C
  - Supply color: Grey



**JDA-MPG METAL CABLE GLAND**



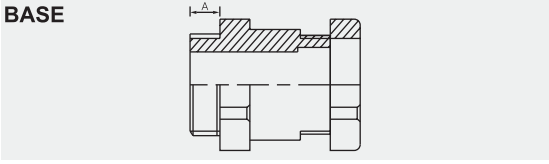
**Model and size**

Artice No.	Thread Dimension	Clamping range (mm)	A(mm)	B(mm)	Wrench size(mm)
JDA-MPG 7	PG 7	3~6.5	5	12.5	14
JDA-MPG 9	PG 9	4~8	6	15.2	17
JDA-MPG 11	PG 11	5~10	6	18.6	20
JDA-MPG 13	PG 13.5	6~12	7	20.4	22
JDA-MPG 16	PG 16	8~14	7	22.5	24
JDA-MPG 21	PG 21	13~18	8	28.3	30
JDA-MPG 29	PG 29	18~25	8	37	40
JDA-MPG 36	PG 36	22~32	9	47	50
JDA-MPG 42	PG 42	30~38	9	54	60
JDA-MPG 48	PG 48	37~44	10	59.3	65

**Product Characteristics**

- Material:Body:nickel-plated brass seal:polyimide 66,Sealing:NBR
- Protection degree:Within the clamping range,its protection degree can reach IP68
- Properties:succeed in the experiment of IEC-60077-1999 resistance to vibration and impact.
- Temperature Range:Stat.:Min-40°CMax 100°C,short-term 120°C Dyn.:Min-20°C,Max80°C,short-term 100°C

**JDA-PKM-P PKM METAL CABLE GLAND**



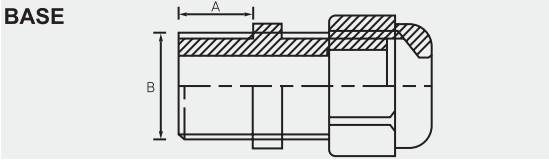
**Model and size**

Artice No.	Thread Dimension	Clamping range (mm)	A(mm)	Wrench size(mm)
JDA-PKM-P 7	PG 7	6~8	5	15
JDA-PKM-P 9	PG 9	8~10	6	17
JDA-PKM-P11	PG11	10~2	6	22
JDA-PKM-P13	PG13.5	12~14	7	24

**Product Characteristics**

- Material:Body:nickel-plated brass barss Sealing:NBR
- Protection degree :Within the clamping range , its protection degree can reach IP65

**JDA-HSK-EX-P EX PLASTIC CABLE GLAND**



**Model and size**

Artice No.	Clamping range (mm)	A(mm)	A(mm)	Wrench size (mm)
JDA-HSK-EX-P 7	3~6.5	8	12.5	15
JDA-HSK-EX-P 9	4~8	8	15.2	19
JDA-HSK-EX-P 11	5~10	8	18.6	22
JDA-HSK-EX-P 13	6~12	9	20.4	24
JDA-HSK-EX-P 16	8~14	10	22.5	27
JDA-HSK-EX-P 21	13~18	11	28.3	33
JDA-HSK-EX-P 29	18~25	11	37	42
JDA-HSK-EX-P 36	22~32	13	47	52
JDA-HSK-EX-P 42	30~38	14	54	60
JDA-HSK-EX-P 48	37~44	15	59.3	65

- Material:Polyamide 66, sealing:NBR
- Color:Grey white(RAL 7035),Black(RAL 9005)
- Protection degree:Using suitable O-sealings within the clamping range, its protection degree can reach IP68
- Temperature Range:Stat. :Min-40°C,Max 100°C,Short-term 120°C Dyn. :Min-20°C,Max 80°C,Short-term 100°C
- Properties:V2(94),free of halogen, phosphor and cadmium, passed RoHS UV-resistance ,ageing-resistance certificates
- EX degree:Exe II T5 Certificate NO. :CNEx07.0311U



JDA-HSM-EX-P

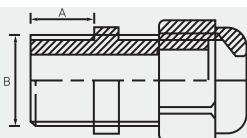
EX METAL CABLE GLAND



Model and size

Artice No.	Thread Dimension	Clamping range (mm)	A(mm)	B(mm)	Wrench size(mm)
JDA-HSM-Ex-P 7	PG 7	3-6.5	5	12.5	14
JDA-HSM-Ex-P 9	PG 9	4-8	6	15.2	17
JDA-HSM-Ex-P11	PG 11	5-10	6	18.6	20
JDA-HSM-Ex-P13	PG 13.5	6-12	7	20.4	22
JDA-HSM-Ex-P16	PG 16	8-14	7	22.5	24
JDA-HSM-Ex-P21	PG 21	13-18	8	28.3	30
JDA-HSM-Ex-P29	PG 29	18-25	8	37	40
JDA-HSM-Ex-P36	PG 36	22-32	9	47	50
JDA-HSM-Ex-P42	PG 42	30-38	9	54	60
JDA-HSM-Ex-P48	PG 48	37-44	10	59.3	65

BASE



Product Characteristics

- Material: Body: nickel-plated brass Seal: Polyamide 66, Sealing: NBR
- Protection degree: With the clamping range its protection degree can reach IP68
- Properties: succeed in the experiment of IEC-60077-1999 resistance to vibration and impact.
- Temperature Range: Stat. :Min-40°C, Max100°C, Short-term 120°C, Dyn. :Min-20°C, Max80°C, Short-term 100°C
- Ex degree: Exe II 15 Certificale NO: CNEx07.03126

JDA-RG-PG

RUBBER GROMMET PG



Model and size

Artice No.	Thread AD(mm)	Φmm(Cabe)	A(mm)	B(mm)	Da(mm)	H(mm)	H1(mm)
JDA-RG-PG 7	12.5	3-5	13	0.5-2	20	12.6	5.4
JDA-RG-PG 9	15.2	5-7	16	1-4	21	17.8	10.3
JDA-RG-PG 11	18.6	7-10	19	1-4	24	19.8	12.7
JDA-RG-PG 16	22.5	10-14	23	1-4	28	21.6	14.7
JDA-RG-PG 21	28.3	14-20	29	1-4	35	24.6	17.6
JDA-RG-PG 29	37	20-26	38	1-4	46	28.5	20
JDA-RG-PG 36	47	26-35	48	1-4	58	34.9	23.9

BASE



Product Characteristics

- Mode of protection : IP67 acc.to EN 60529
- Temperature range: -40°C...+100°C
- Test standard: EMKO TUI(03-SEC)F1001/84
- Semko report: 410375
- Halogen-free

JDA-SP-PG

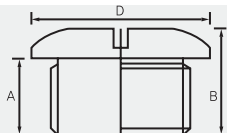
SCREW PLUG



Model and size

Artice No.	A(mm)	B(mm)	Da(mm)
JDA-SP-PG 7	8.5	12.5	15
JDA-SP-PG 9	8.5	13	19
JDA-SP-PG 11	9	13	22
JDA-SP-PG 13.5	9	13	25
JDA-SP-PG 16	10.5	15	27
JDA-SP-PG 21	8.5	13.5	33
JDA-SP-PG 29	11.5	16	44
JDA-SP-PG 36	13.5	18	55
JDA-SP-PG 42	13.5	18.5	62
JDA-SP-PG 48	14.5	19.5	68

BASE

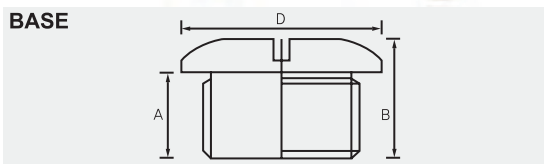


Product Characteristics

- Material: nylon plastic
- Protection degree: IP54
- Ambient temperature: -40°C to 100°C
- Supply color: Grey, Black



**JDA-MSP-PG METAL SCREW PLUG**



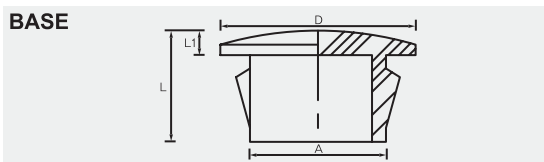
**Model and size**

Article No.	A(mm)	B(mm)	Wrench size(mm)
JDA-MSP-PG 7	5	8	14
JDA-MSP-PG 9	6	9	17
JDA-MSP-PG 11	6	9	20
JDA-MSP-PG 13.5	6.5	9.5	22
JDA-MSP-PG 16	6.5	9.5	24
JDA-MSP-PG 21	7	11	30
JDA-MSP-PG 29	8	12	39
JDA-MSP-PG 36	9	15	50
JDA-MSP-PG 42	10	16	57
JDA-MSP-PG 48	10	16	64

**Product Characteristics**

- Material: Nickel-plated brass
- Protection degree: IP68

**JDA-HP-PG HOLE PLUG**



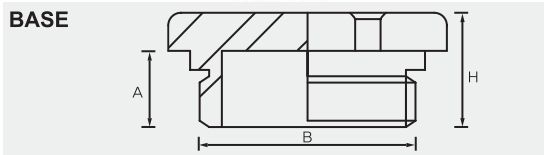
**Model and size**

Article No.	A	D	L1	L
	Aperture of the steel board	od of the plug	Thickness	Total length
JDA-HP-PG 8	7.8	11.9	1.6	8
JDA-HP-PG10	9.5	13	1.6	10.5
JDA-HP-PG13	12.7	16.9	1.6	10.5
JDA-HP-PG16	15.9	19.8	1.6	10.5
JDA-HP-PG19	19	22.9	1.6	10.5
JDA-HP-PG22	22.2	24.9	1.6	11.5
JDA-HP-PG26	25.5	28.3	1.6	11.5
JDA-HP-PG30	30	34.2	1.6	11.5

**Product Characteristics**

- Material: PA66,94-V2
- Color: Black(RAL 9005)
- Temperature Range: Min-40°C, Max 100°C
- Application: To cover the spare holes by pushing the plug with your hand, you can finish the assembly easily without additional tools, suitable for the steel board below 3.2mm

**JDA-DPM-P HEXAGON PLUG**



**Model and size**

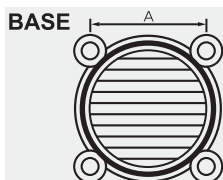
Article No.	Therad Dimension	A(mm)	B(mm)	Wrench size(mm)	H(mm)
JDA-DPM-P 7	PG 7	5	12.5	14	8
JDA-DPM-P 9	PG 9	6	15.2	17	9
JDA-DPM-P 11	PG 11	6	18.6	20	9
JDA-DPM-P 13	PG 13.5	7	20.4	22	10
JDA-DPM-P 16	PG 16	7	22.5	24	10
JDA-DPM-P 21	PG 21	7	28.3	30	11
JDA-DPM-P 29	PG 29	8	37	40	12
JDA-DPM-P 36	PG 36	9	47	50	15
JDA-DPM-P 42	PG 42	10	54	60	16
JDA-DPM-P 48	PG 48	10	59.3	65	16

**Product Characteristics**

- Material: Nickel-plated brass
- Protection degree: IP68



JDA-V60,80 VENT



Model and size

Article no.	A	Processing Size	Ventilation fan Size
JDA-V 60	50 ±0.3mm	63-65Ø	60Ø
JDA-V 80	71.5±0.3mm	88-90Ø	80Ø

Product Characteristics

- It is easy to exhaust heat of inside box outside
- It is easy to install cooling pan inside the box
- It is designed to prevent the penetration of rain

Draw latch

- Material: SUS304
- JDA-L75
- JDA-L65
- JDA-L55



Wall mounting bracket

- Material: SUS304
- JDA-B60
- JDA-B50
- JDA-B40



Draw latch lock

- Material: SUS304
- Use only p-type



JDA-DR-1100

- Material: Aluminium



Hinge

- Material: SUS304
- JDA-H75
- JDA-H65
- JDA-H55



Duct Ring

- Material: Steel (Zinc plating)







**Model and size**

- Material: Nylon
- All hinge type products



JDA-PK

**Model and size**

- Material: SUS304 etc
- All hinge type products



JDA-SK

**Model and size**

- Material: SUS304
- All hinge type products



JDA-K40

**Handle**

- Material: ABS



Front Side



Back Side

**Earth Stud**

- Material: SUS304



JDA-ES

**Dual door**

- Material: ABS
- Frame, support, hinge, handle



**Dual door mounting plate**

- Material: Aluminium
- Medium and large plastic Boxes



**Plastic mounting plate**

- Material: ABS
- All plastic box products

**Steel mounting plate**

- Material: Steel (Zink plating)
- All plastic box products





日揚國際事業股份有限公司  
JD Auspice Co., Ltd.

採用高強度ABS、PC耐火材料製成，適用於端子箱、配電盤、儀錶箱、電力設備控制箱及各種自動化領域

